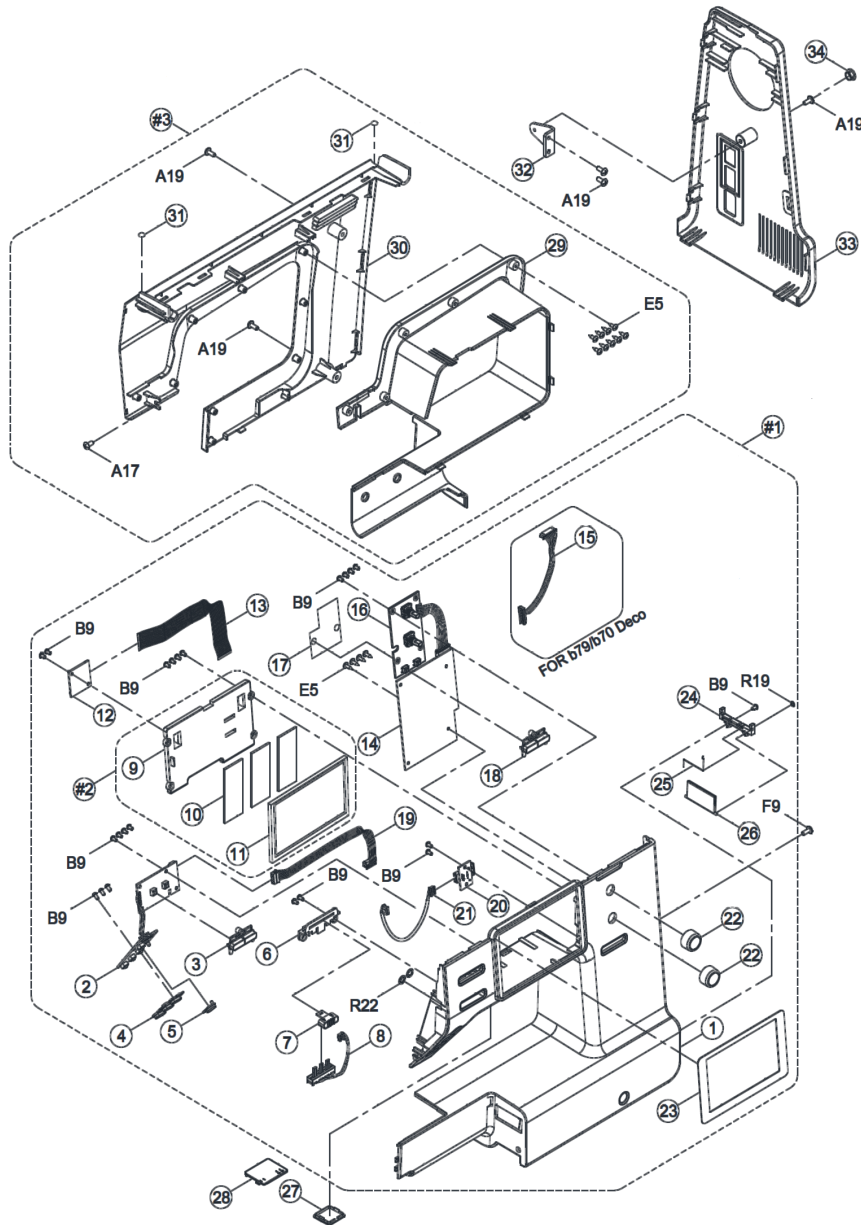




Spare Parts

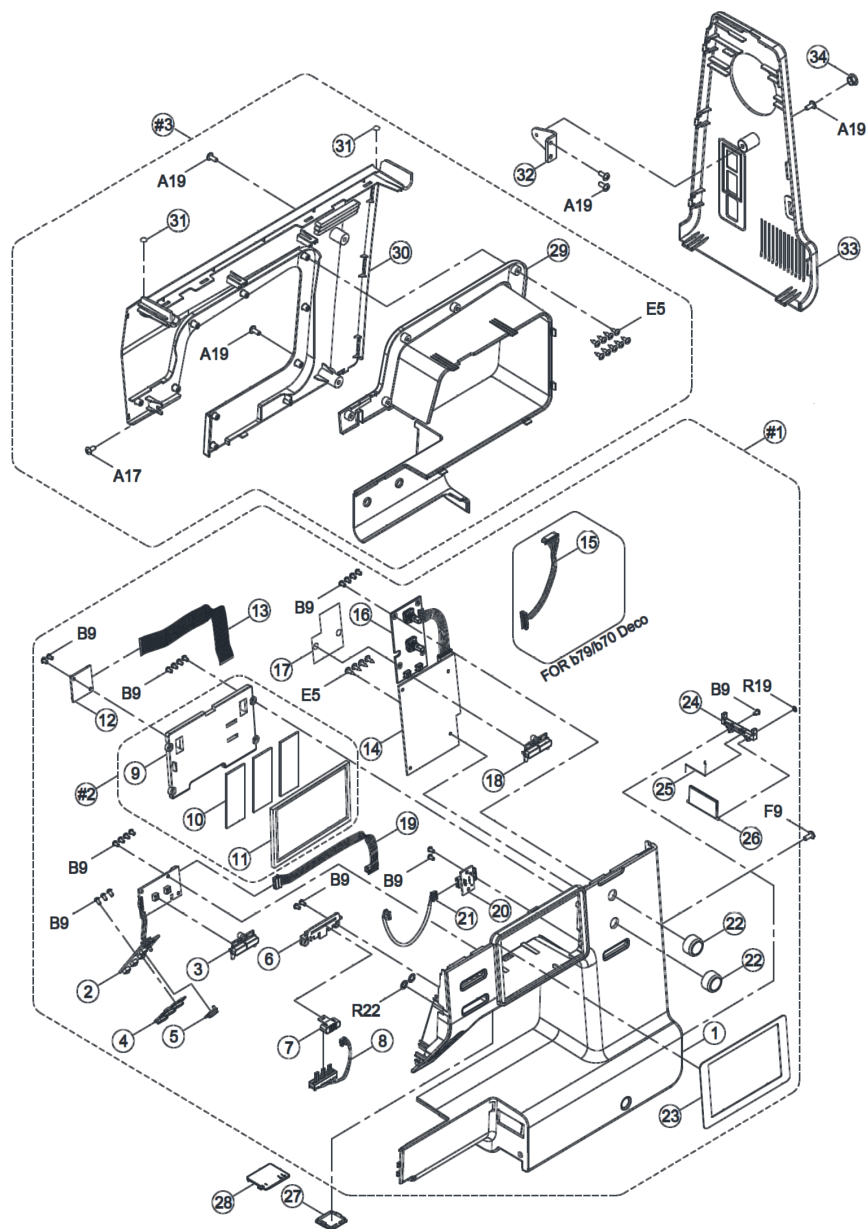
b70



Pos	Item number	Description	Supplier Part no.
-1	5020209932	Front cover b70 kpl	CJBC024892
-2	5020209981	TFT Module cpl	CJB0785000
-3	5020210383	Back Cover Body	CJBB014698
1	5020209383	Front Cover	CJBC023892
2	5020209384	Key Switch Board	008CJA0005
3	5020209386	Function Select Button	CJBN063892
4	5020209388	Function Select Button	CJBN053892
5	5020209389	START/STOP PUSH BUTTON	CJBN013031
6	5020209391	Slide Vol Knob Connector	P3C0573210
7	5020209392	Slide Volume Knob	CJBA033892
8	5020209393	Slider	008CJB0020
9	5020209394	TFT Fixed Holder	CJBZ343892
10	5020209395	EVA	025H7B0004
11	5020209396	TFT Module	008CJA0003
12	5020209397	FPC Conversion Board	008CJB0003
13	5020209398	FPC Line	008CJB0004
14	5020209400	I/O Board b70	008CJB0019
15	5020209402	Connector Cable	008CJA0017
16	5020209403	XY Needle Displacement Board	008CJB0006
17	5020209425	Insulating Slice	008CJB0024
18	5020209405	Function Select Button	CJBN073892
19	5020209406	Line	008CJB0002
20	5020209407	USB Conversion Board	008CJB0005
20	5020209947	USB BOARD	008CJB0005-01
21	5020209408	USB Cable	008CJA0018
22	5020209409	Stitch Length Dial cpl	CJBZ075892
23	5020209410	Touch Panel Cover	CJBP013031
24	5020209411	D Type Frame	CJBZ353892
25	5020209412	D Type Spring	CJB0143000
26	5020209413	D Type Plate	CJBZ063892
27	5020209415	Light Cover	CAA1093031
28	5020209416	Needle Plate Cover	CJBA013031
29	5020209417	Back Cover Body	CJBZ093892
29	5020210383	Back Cover Body	CJBB014698

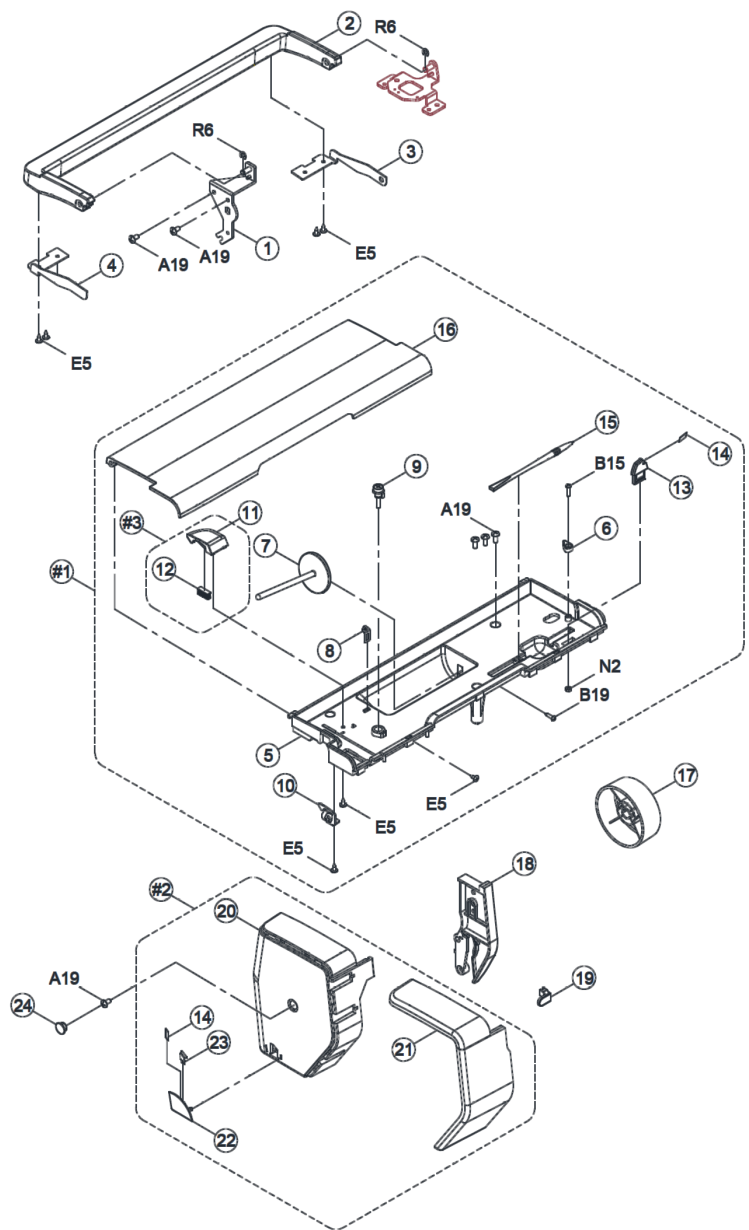
b70

Covers 1



Pos	Item number	Description	Supplier Part no.
30	5020209418	Back Cover	CJBB013698
31	5020209420	Spacer	D6B0783000
32	5020209421	Belt Cover Board	CJB0033000
33	5020209423	Motor Drive Belt Cover	CJBA073698
34	5020209453	Caps	E9R0803698
A19	5020206112	Screw (M4*0.7*L8)	004240106
B9	5020209390	Screw (M3*0.5*L6)	004230086
E5	5020209419	Screw (M3*0.5*L8.5)	004230216
F9	5020208929	Screw (M4*0.7*L8) (SET OF 10)	004240586
R19	5020209414	Ring (CSTW-3, □2.8*□8*0.25)	003020033
R22	5020208142	Ring (CSTW-5, □4.8*□10*0.25)	003020053

b70

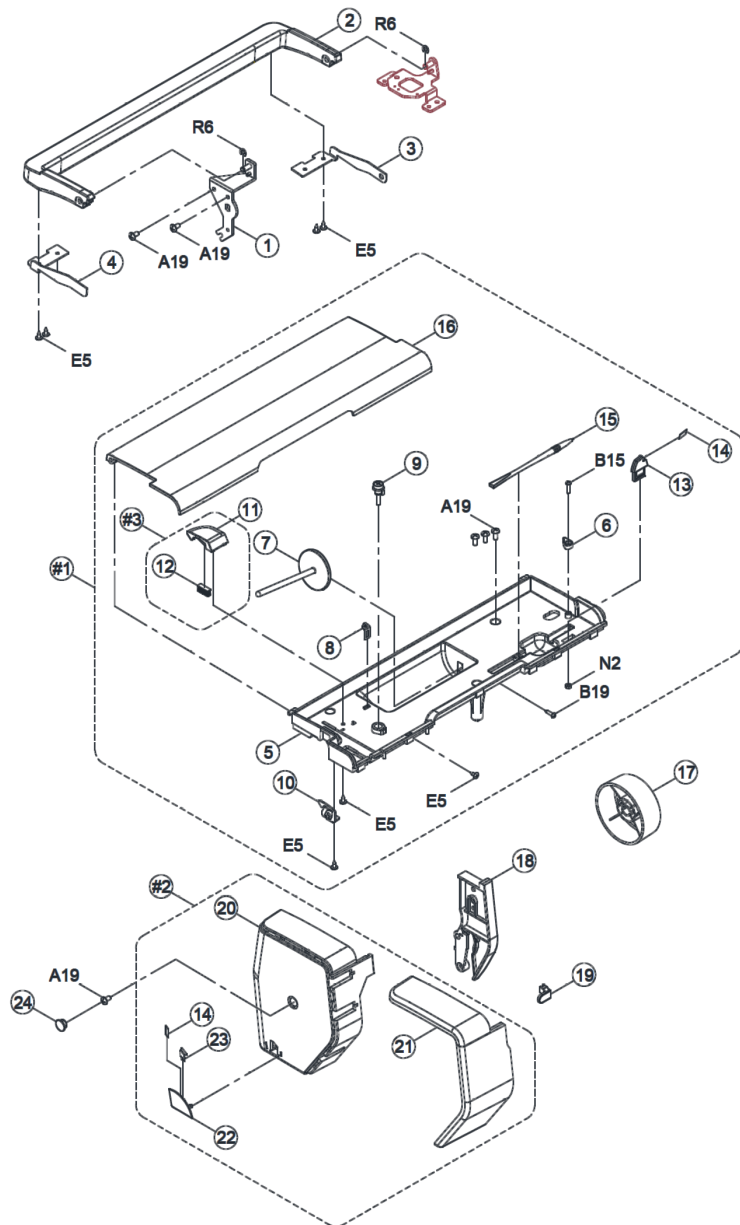


Covers 2

Pos	Item number	Description	Supplier Part no.
-1	5020209921	Arm top cover cpl	CJBA044892
-2	5020209923	Face cover cpl	CJBF024892
-3	5020209454	Guide Cover cpl	CJBZ445892
1	5020209426	Handle Bracket cpl	CJB0055000
2	5020209427	Handle	CJBZ173892
3	5020209428	Handle Plate (Right)	CJB0163000
4	5020209429	Handle Plate (Left)	CJB0173000
5	5020209431	Arm Top Cover	CJBA043892
6	5020209432	Bobbin Winder Stopper	CAA1013000
7	5020209435	Spool Rod	CHAZ193892
8	5020209437	Thread Guide	H1B0603001
9	5020210407	Bobbin Winder Thread Guide cpl	CJB0624000
10	5020209438	Pre-Tension Thread Guide	CJB0155000
10	5020210502	Pre-tension Thread Guide cpl	CJB0155000-01
11	5020209439	Guide Cover	CJBZ443892
12	5020209440	Brush	CJB0533000
13	5020209441	Cutter Holder	CAA0983892
14	5020210209	Cutter	V630593000
15	5020209320	Touchscreen Pen	S2A0083698
16	5020209443	Top Cover	CJBZ153892
17	5020209444	Hand-Wheel	EJBZ253698
17	5020210438	Hand wheel	CJBZ253698-01
18	5020209445	Dial Tension Supporter Plate Cover	CJBZ203892
20	5020209447	Face Cover	CJBZ183698
21	5020209449	FACE DECORATION COVER	CJBF023892
22	5020209451	Thread-Cutter Cover	E9R0653698
22	5020210439	Thread cutter cover	E9R0654698-01
23	5020210055	Thread cutter fragment	E9R0103001
24	5020209453	Caps	E9R0803698
A19	5020206112	Screw (M4*0.7*L8)	004240106
B15	5020209434	Screw (M3*0.5*L10)	004230316
B19	5020209436	Screw (M3*0.5*L12.7)	0042300706
E5	5020209419	Screw (M3*0.5*L8.5)	004230216
N2	5020209626	Nut (M3*0.5*2.3)	004830016

b70

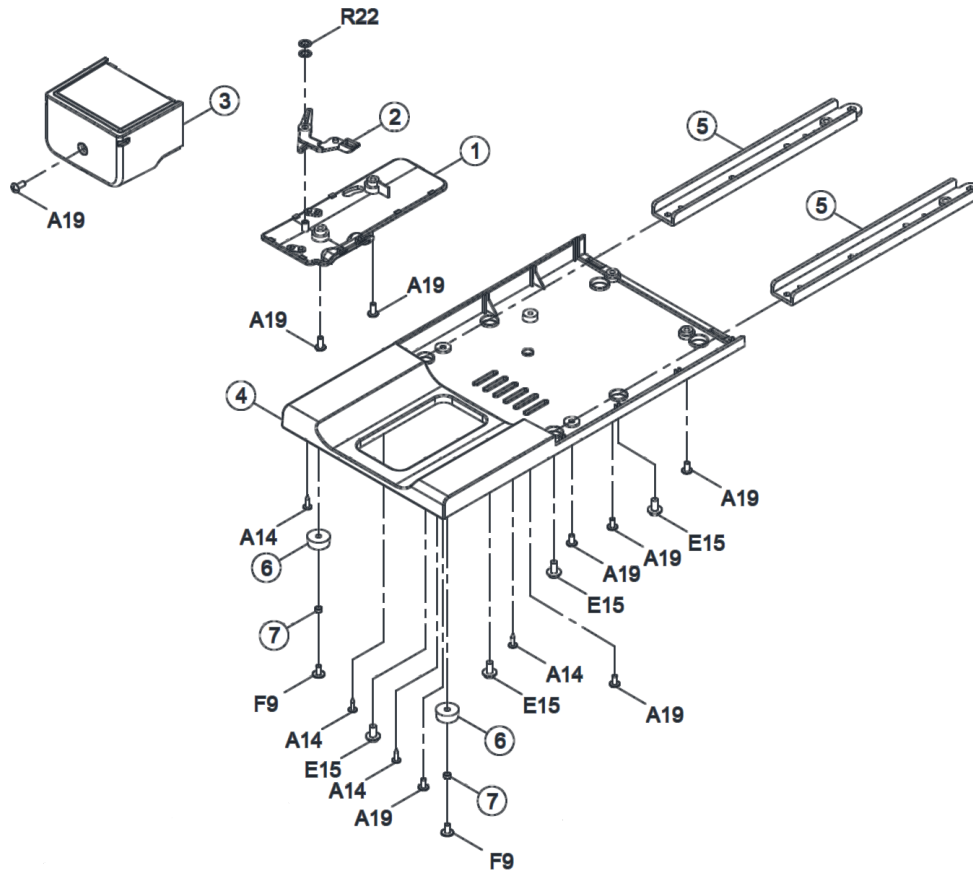
Covers 2



Pos	Item number	Description
R6	5020207868	E-Ring (ETW-4, □4*□9*0.6)

Supplier Part no.
003010043

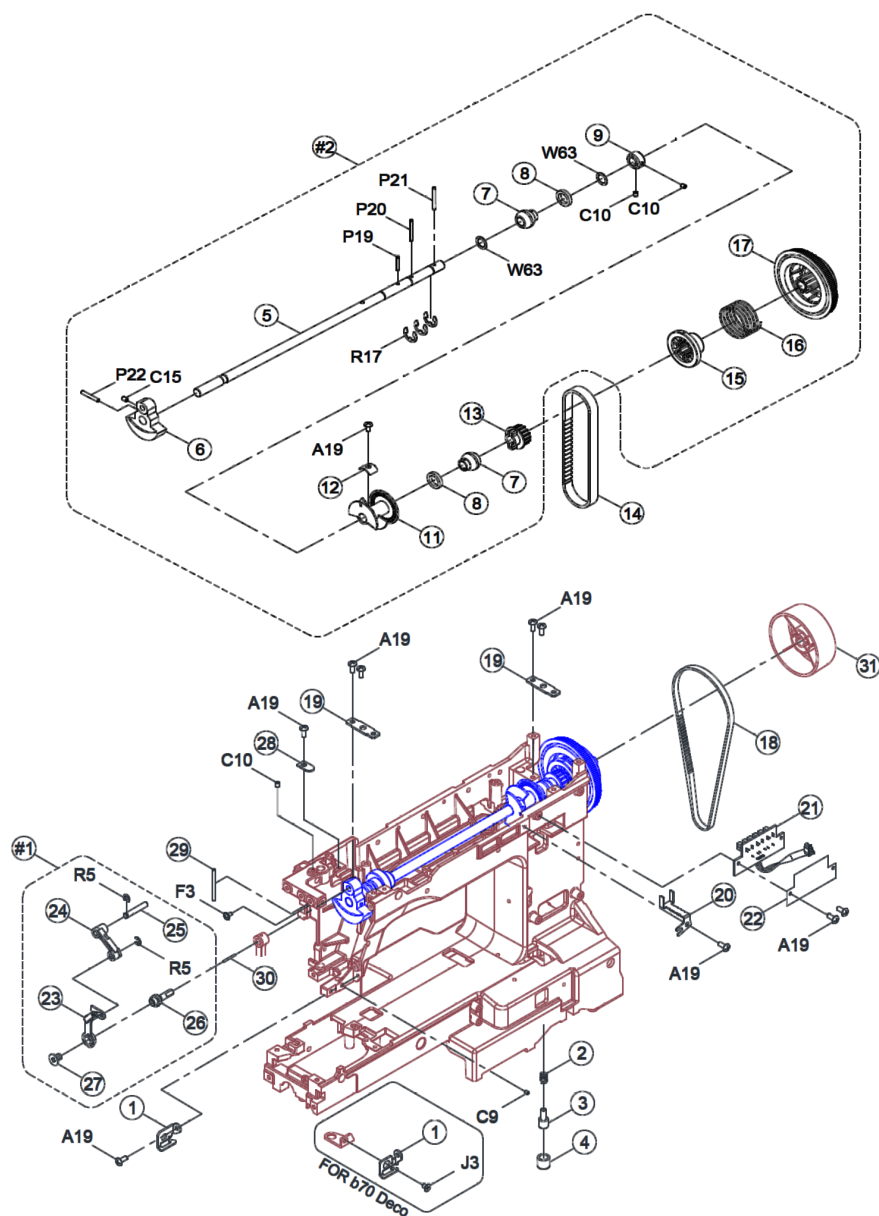
b70



Covers 3

Pos	Item number	Description	Supplier Part no.
1	5020209455	Free Arm Base Plate	CJBZ113892
3	5020209457	Free Arm Cover	CJBZ123892
4	5020209458	Base Cover	CJBZ143698
5	5020209459	Free Arm Foot	CJA0393006
6	5020209460	Free Arm Base Cushion Rubber	F31453000
7	5020208930	Free Arm Base Cushion	H1A0583003
A14	5020209462	Screw (M3*0.5*L10)	004230606
A19	5020206112	Screw (M4*0.7*L8)	004240106
E15	5020206118	Screw (M5*0.8*L10)	004250346
F9	5020208929	Screw (M4*0.7*L8) (SET OF 10)	004240586
R22	5020208142	Ring (CSTW-5, □4.8*□10*0.25)	003020053

Upper shaft

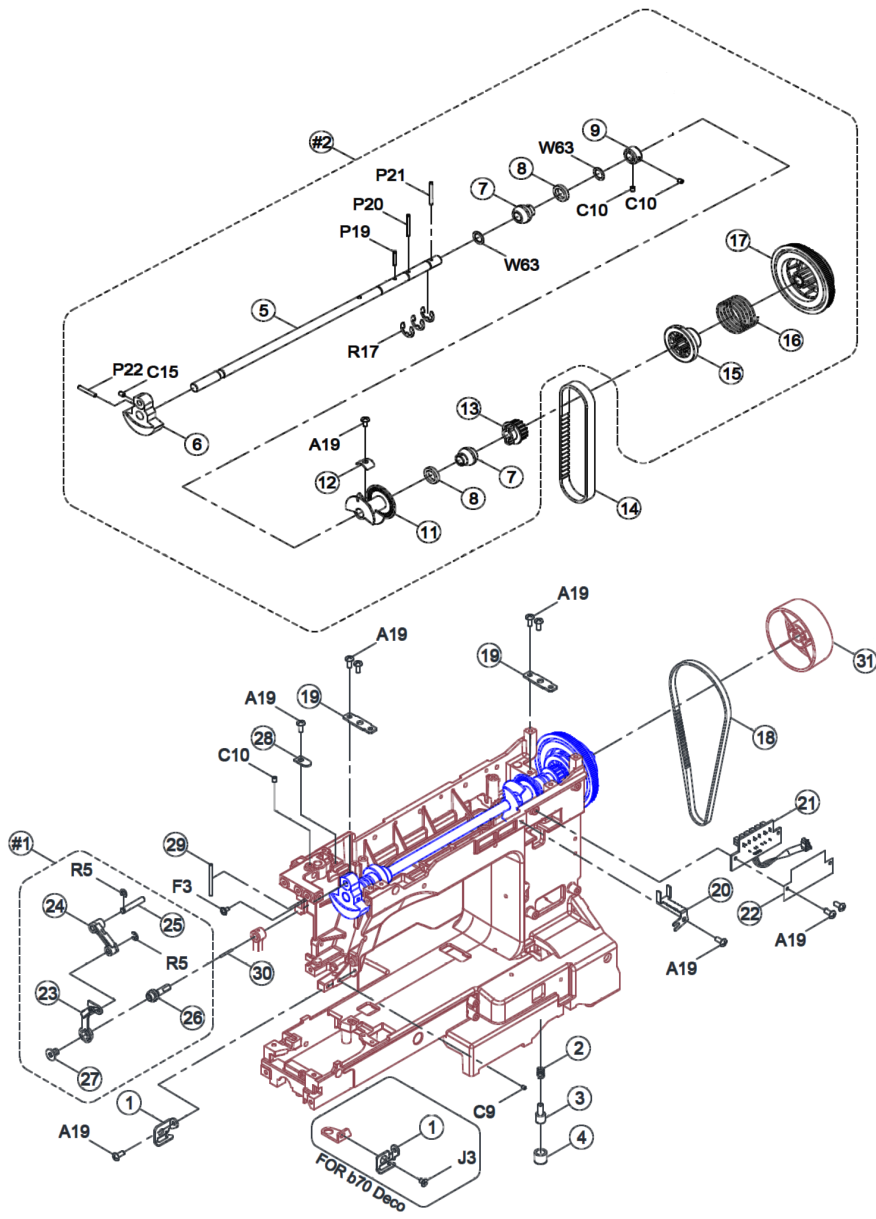


Pos	Item number	Description	Supplier Part no.
-4	5020209492	Thread Take-Up Lever cpl	Q6D0364000
-1	5020210408	THREAD TAKE-UP LEVER CPL.	CJB0094000
-2	5020210372	Upper Shaft b70 cpl	CJB0254000
1	5020209469	ARM THREAD GUIDE PLATE	CJB0453001
2	5020205826	Spring	E1A2573006
3	5020205867	Base Plate Adjustment Screw	K82133006
4	5020209377	Free Arm Base Cushion Rubber	K6A0063002
5	5020209470	Arm Shaft	CJA0413000
6	5020209471	Arm Shaft Balance	Q6D0713000
7	5020209473	Arm Shaft Bushing	CJA0423000
8	5020209735	Felt Seal 12.7*18.7*T 3.5 Mm	R1A2823000
9	5020209474	Arm Shaft Collar	CAA0663003
11	5020209476	Rotary Sensor Collar	H1A0743582
12	5020209477	Set Plate	D3A0043002
13	5020209478	Arm Shaft Sprocket	H1A0403000
14	5020209479	Belt	0074505KC1
15	5020207286	Arm Shaft Collar	D5A0583000
16	5020207285	Arm Shaft Clutch	D5A0573003
17	5020209124	Arm Shaft Driver Belt Pulley	H1A0103000
18	5020209482	MOTOR DRIVE BELT	00751602M5
19	5020209483	Arm Shaft Bushing Holder Plate	CFA0033003
20	5020209484	Electric Wire Press Board	CJA1903003
21	5020209485	Photo Sensor cpl	008CJA0025
22	5020209486	Insulating Slice	008CJA0034
24	5020205829	Thread Take Up Lever Supporter	E1A2653000
25	5020206077	Thread Take Up Lever Supporter	V60223003
28	5020209777	Gasket	H13093003
29	5020209488	PRESSER BAR BRACKET SHAFT	CJA1393000
30	5020210062	Oil cotton	Q6D0123000
34	5020209444	Hand-Wheel	€JBZ253698
31	5020210438	Hand wheel	CJBZ253698-01
A19	5020206112	Screw (M4*0.7*L8)	004240106
C9	5020206116	Screw (M4*0.7*L4)	004240503
C10	5020206108	Screw (M4*0.7*L5)	004240033

b70

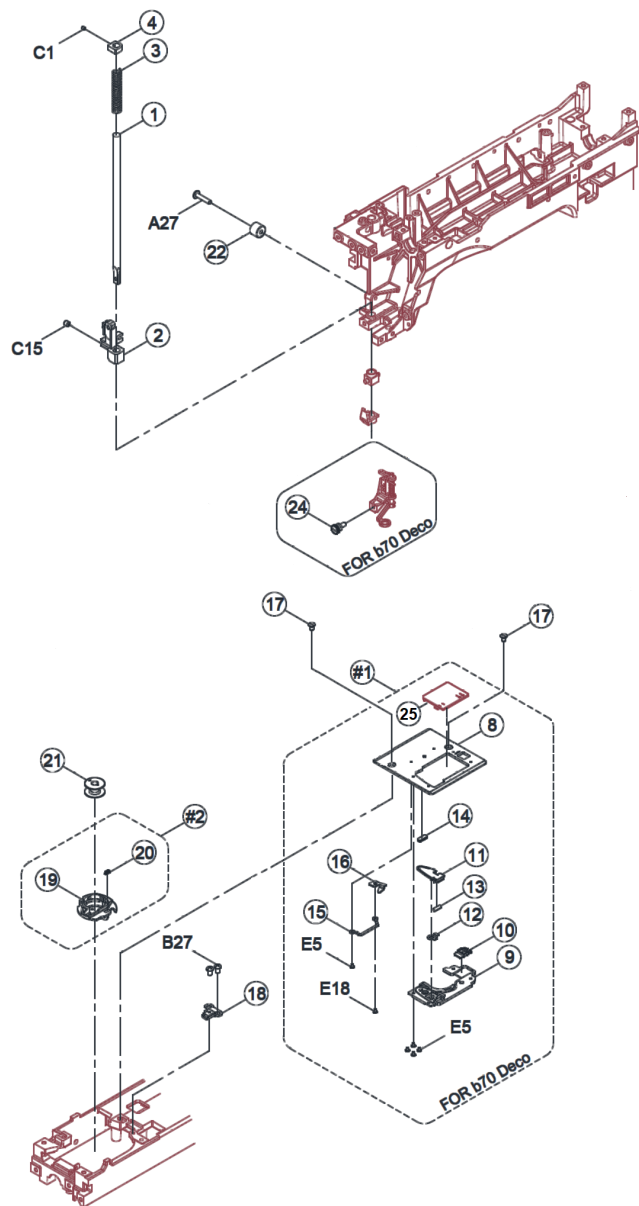
Upper shaft

Pos	Item number	Description	Supplier Part no.
C15	5020206117	Screw (M5*0.8*L5)	004250203
F3	5020209647	Screw (M3*0.5*L6)	004230816
J3	5020209491	Screw (M4*0.7*L6.5)	0042415308
P19	5020209481	Spring Pin (□3*L18*0.6)	003043018
P20	5020209105	Spring Pin (□3*L28*0.6)	003043028
P21	5020209106	Spring Pin (□3*L30*0.6)	003043030
P22	5020206336	Pin (□3.5*L24*0.75)	003043524
R5	5020206095	E-Ring (ETW-3, □3.2*□7*0.6)	003010036
R17	5020209836	E-Ring (ETW-9, □9*□18*0.8)	003010093
W63	5020209472	Washer (□10.2*□15*0.5)	004400080



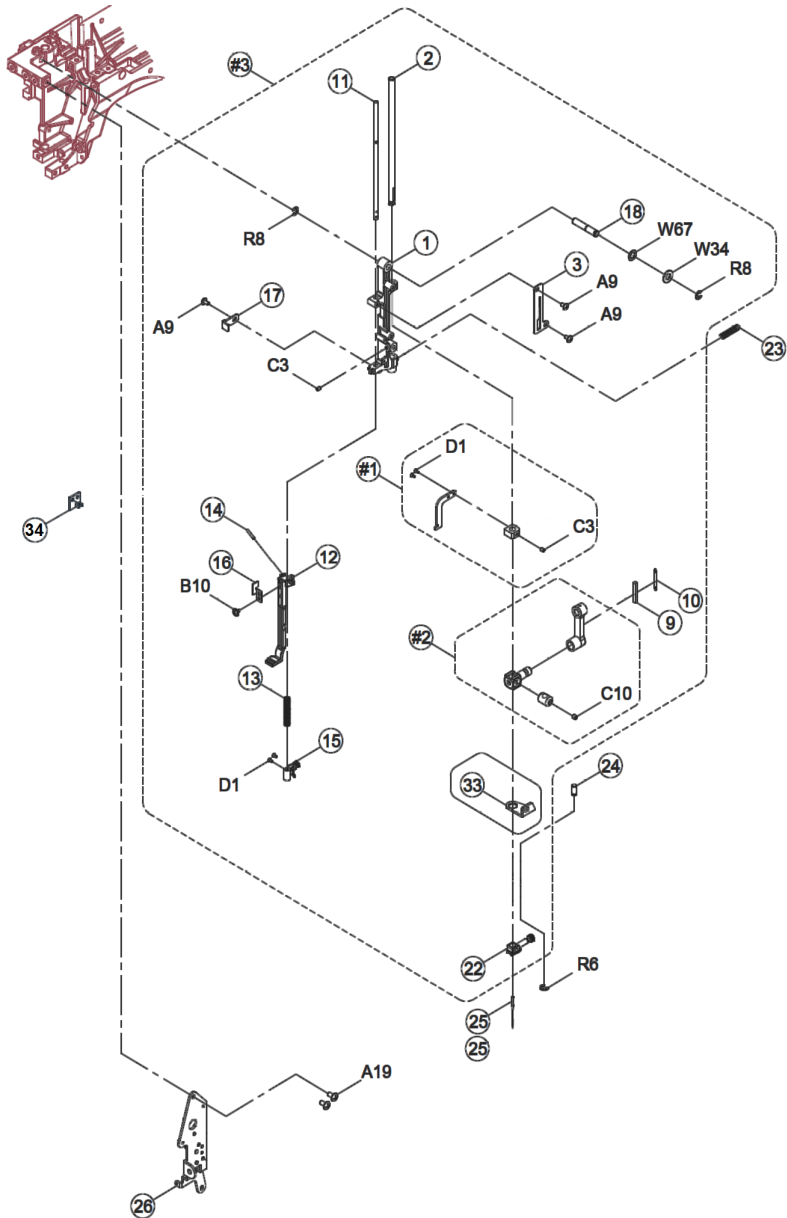
b70

Presser foot bar



Pos	Item number	Description	Supplier Part no.
-1	5020209380	NEEDLE PLATE COMPLETE (KIT)	CJBA094000
-2	5020209917	Bobbin case (HTTBC)	CJB0674000
1	5020209493	Presser Bar	R1A0163002
2	5020209494	Presser Bar Bracket	CJA0773000
3	5020209495	Presser Bar Spring	CJA1353003
4	5020209496	Presser Bar Lifter Stopper	CJA0783000
8	5020209504	NEEDLE-PLATE	EJA1543004
8	5020209920	Needle plate with C-Cut	CJA1543004-01
9	5020209503	NEEDLE PLATE SUPPORTER	CJBA163582
10	5020209505	Needle Plate Cover Open	Q6G0113582
12	5020209507	Press Plate	H7B0073000
13	5020210209	Cutter	V630593000
14	5020209508	Lower Threader Cutter Brush	H7A0033000
15	5020209509	EMBROIDERY CRIMPING PLATE	CJA1633000
16	5020209983	Downholder	H7A1283002
17	5020210409	Screw	0042415801
18	5020209510	Bobbin Case Plate (2) cpl	CJBA134000
24	5020208184	Bobbin 1 Pc Unpacked	006H1B0004
21	5020209311	BOBBINS 10 PCS. PACKED	U2-FS3-069
22	5020209512	Presser Bar Lifter Lever	CJB0043000
24	5020209515	Shank Set Screw	R1A2573001
25	5020209416	Needle Plate Cover	CJBA013031
A27	5020209513	Screw (M4*0.7*L15)	004240466
B27	5020206110	Screw (M4*0.7*L6)	004240056
C1	5020209755	Screw (M3*0.5*L3)	004230433
C15	5020206117	Screw (M5*0.8*L5)	004250203
E5	5020209504	Set Screw (M2*0.4*L3)	0042200016
E18	5020210410	Screw (M2*0.4*L4)	004220016

b70

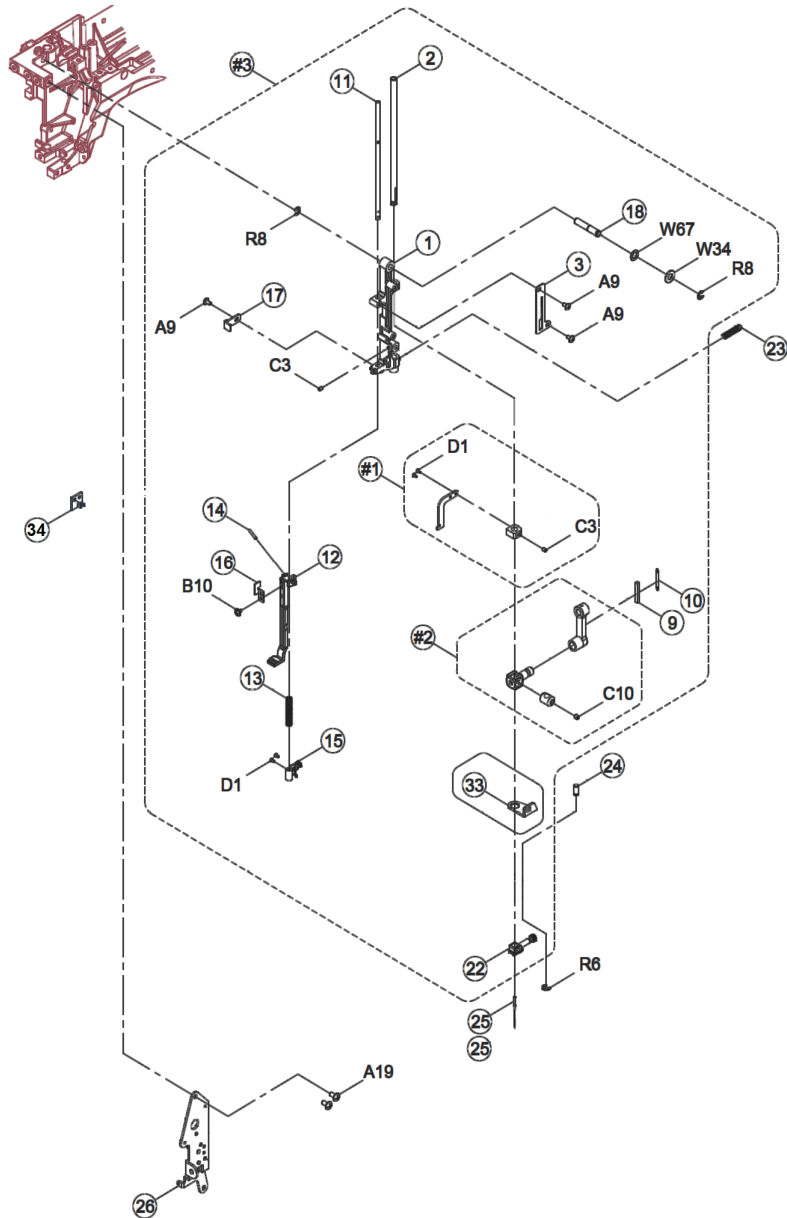


Needlebar with support

Pos	Item number	Description	Supplier Part no.
-1	5020209556	AUTO THREADER STOPPER COMPLETE	CJA0565000
-2	5020209558	NEEDLE BAR BROCKET COMPLETE	CJB0115000
-3	5020210481	Needle Bar Supporter cpl	CJB0264429
1	5020209553	NEEDLE BAR SUPPORTER	CJA0553000
2	5020209554	NEEDLE BAR	CJB0473000
3	5020209555	THREADING GUIDE	CJA0743003
9	5020209559	OIL COTTON	CJB0073000
10	5020209560	OIL COTTON HOLDER PLATE	CJA1483000
10	5020210384	Oil Cotton Holder Plate	CJA1483000-01
11	5020209561	THREADING SHAFT	CHA1373000
12	5020209562	AUTO THREADER LEVER	CHA1313429
13	5020209563	THREAD SHAFT SPRING	CHA1483003
14	5020209564	PIN (2*L16)	0030400010
15	5020209565	THREADING PLATE CPL.	CJB0505429
16	5020209566	Threading Plate Cpl.	CJA1603000
17	5020209568	PLATE	CHA1353000
18	5020209569	Nadelstange-Träger-Stift	P3A0183000
18	5020210381	Needle bar supporter pin	P3A0183000-01-B
22	5020209575	NEEDLE CLAMP COMPLETE	CJA1735000
22	5020210165	Needle clamp cpl.	CJB0765000
23	5020200061	NEEDLE BAR SUP. SPRING	H50583003
24	5020209576	NEEDLE BAR SUPPORTER PLATE PIN	CAA1823000
25-1	0025117110	Needle set 130/705 H SUK ASS 70-90 (5)	
26	5020210412	BRACKET	CJA0843000
33	5020209490	NEEDLE BAR BRACKET	CHA1173003
34	5020209658	Photo Sensor Cpl needle threader	008CJA0021
A9	5020206545	Screw (M3*0.5*L6)	004230016
A19	5020206112	Screw (M4*0.7*L8)	004240106
B10	5020209825	Screw (M3*0.5*L6)	004230082
C3	5020209557	Screw (M3*0.5*L4)	004230483
C10	5020206108	Screw (M4*0.7*L5)	004240033
D1	5020207095	SCREW (M2*0.4*L4)	004220203
R6	5020207868	E-Ring (ETW-4, □4*□9*0.6)	003010043
R8	5020209691	E-Ring (ETW-4, □4*□9*0.6)	003010046

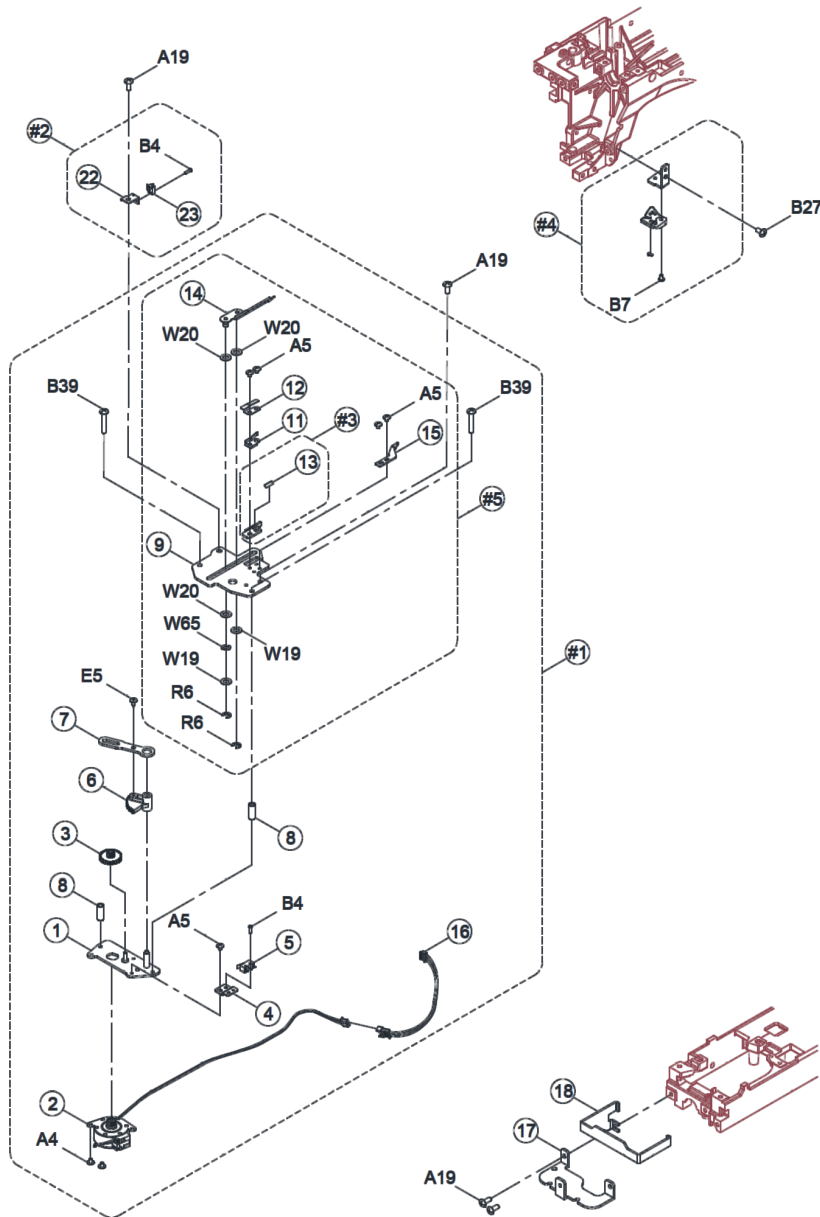
b70

Needlebar with support



Pos	Item number	Description	Supplier Part no.
W34	5020209668	Washer (□6.5*□13*1)	004300043
W67	5020209570	Washer (□6.4*□11*1*0.15)	004500670

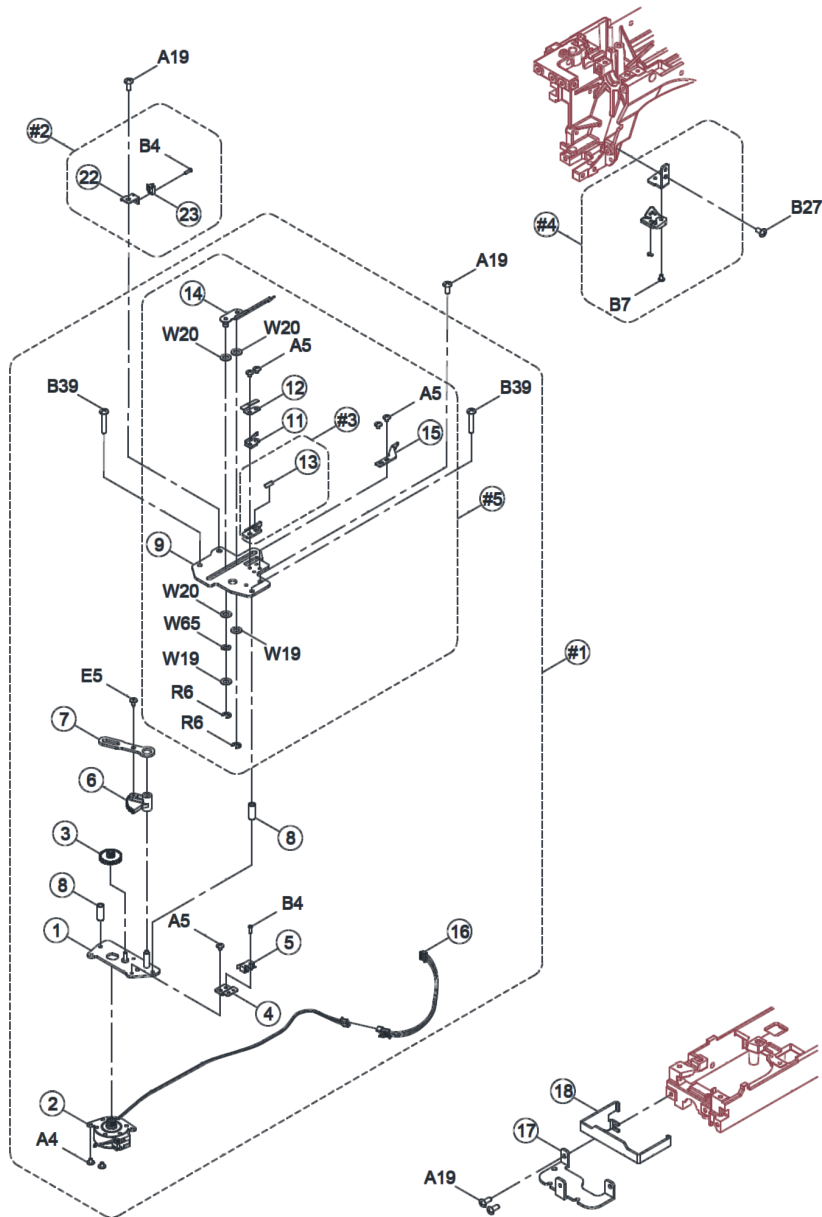
Thread cutting



Pos	Item number	Description	Supplier Part no.
-1	5020209925	Auto Cutter cpl	CJA1565000
-2	5020209926	Micro Switch plate cpl	CJA1895000
-3	5020209597	Fixed Bracket Complete	CJB0415000
-4	5020209607	THREAD-CUTTER-COMplete	GJA1714892
-4	5020210390	THREAD CUTTER COMPLETE	CJA171489-01
-5	5020210003	AUTO CUTTER SET	CJA1935000
1	5020209586	PULSE MOTOR PLATE COMPLETE	CJA1555000
2	5020209587	MOTOR	001H7A0006
3	5020209589	Lower Thread Gear	H7A0293000
4	5020209590	TRIMMER MICRO SWITCH SUPPORTER	H7A0723003
5	5020209591	MICRO SWITCH COMPLETE	008CJA0013
6	5020209592	MOVABLE CUTTER GEAR	H7A0183000
7	5020209593	MOVABLE CUTTER CRANK	H7A0253006
8	5020209595	SLEEVE	H7A0283006
9	5020209596	MOVEABLE CUTTER PLATE	CJA1573006
11	5020209598	SPLINT	H7B0353000
12	5020209599	MOVABLE KNIFE PLATE	H7A0243000
13	5020205828	Thread Cutter	CHA1643000
14	5020209600	MOVABLE CUTTER COMPLETE	CJB0435000
15	5020209601	ROTARY HOOK PLATE (1)	CJA1583002-01
16	5020209609	MOTOR CABLE	008CJB0011
17	5020209606	PULSE MOTOR BRACKET	CJA1313003
18	5020210386	FREE ARM COVER SUPPORTER	CJB0693008
22	5020209610	MICRO SWITCH PLATE	CJA1893000
23	5020209611	MICRO SWITCH COMPLETE	008CJA0015
A4	5020209796	SCREW	0042300508
A5	5020209828	Screw(M3*0.5*4A)	0042300066
A19	5020206112	Screw (M4*0.7*L8)	004240106
B4	5020209107	Screw (M2*0.4*7.5)	004220112
B7	5020209641	Set Screw (M3*5B)	004230056
B27	5020206110	Screw (M4*0.7*L6)	004240056
B39	5020209604	SET SCREW	0042415208
E5	5020209419	Screw (M3*0.5*L8.5)	004230216
R6	5020207868	E-Ring (ETW-4, □4*□9*0.6)	003010043

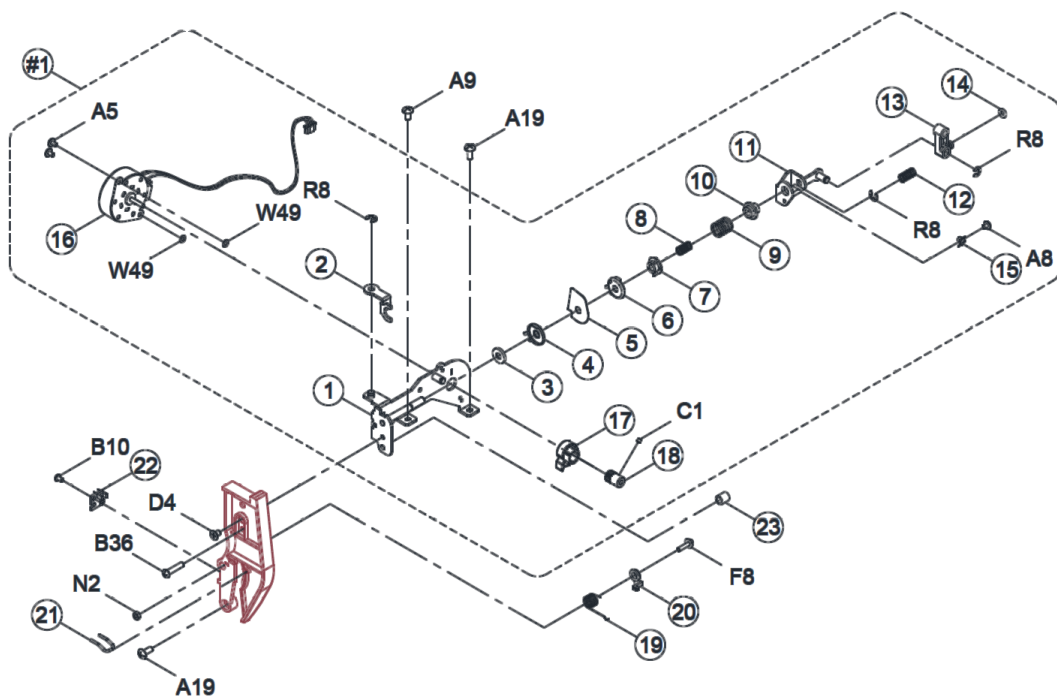
b70

Thread cutting



Pos	Item number	Description	Supplier Part no.
W19	5020209602	Washer (□5.2*□10*0.2)	004300713
W20	5020209605	Washer (5.2*10*0.5)	004300643
W65	5020209603	CURVED WASHER	0045520010

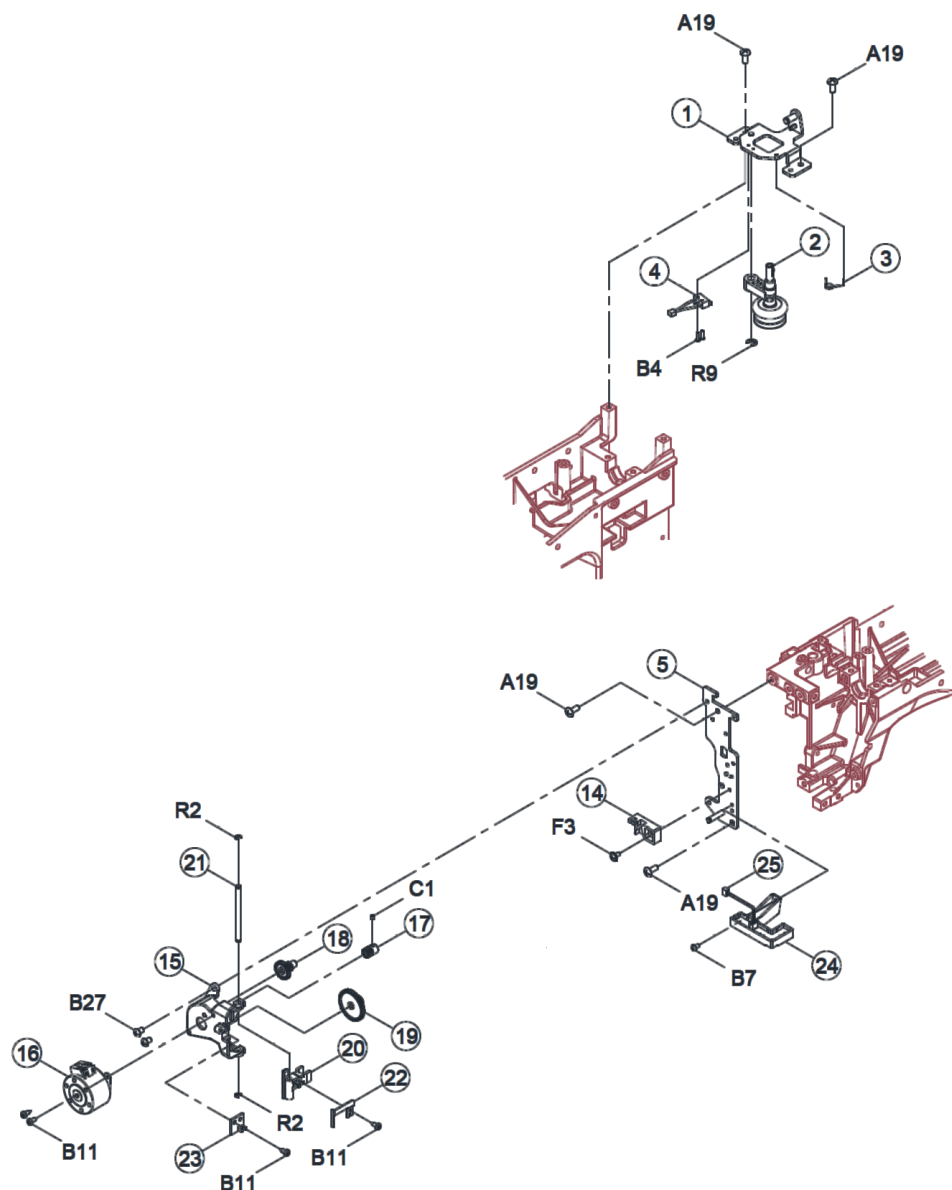
b70



Thread tension

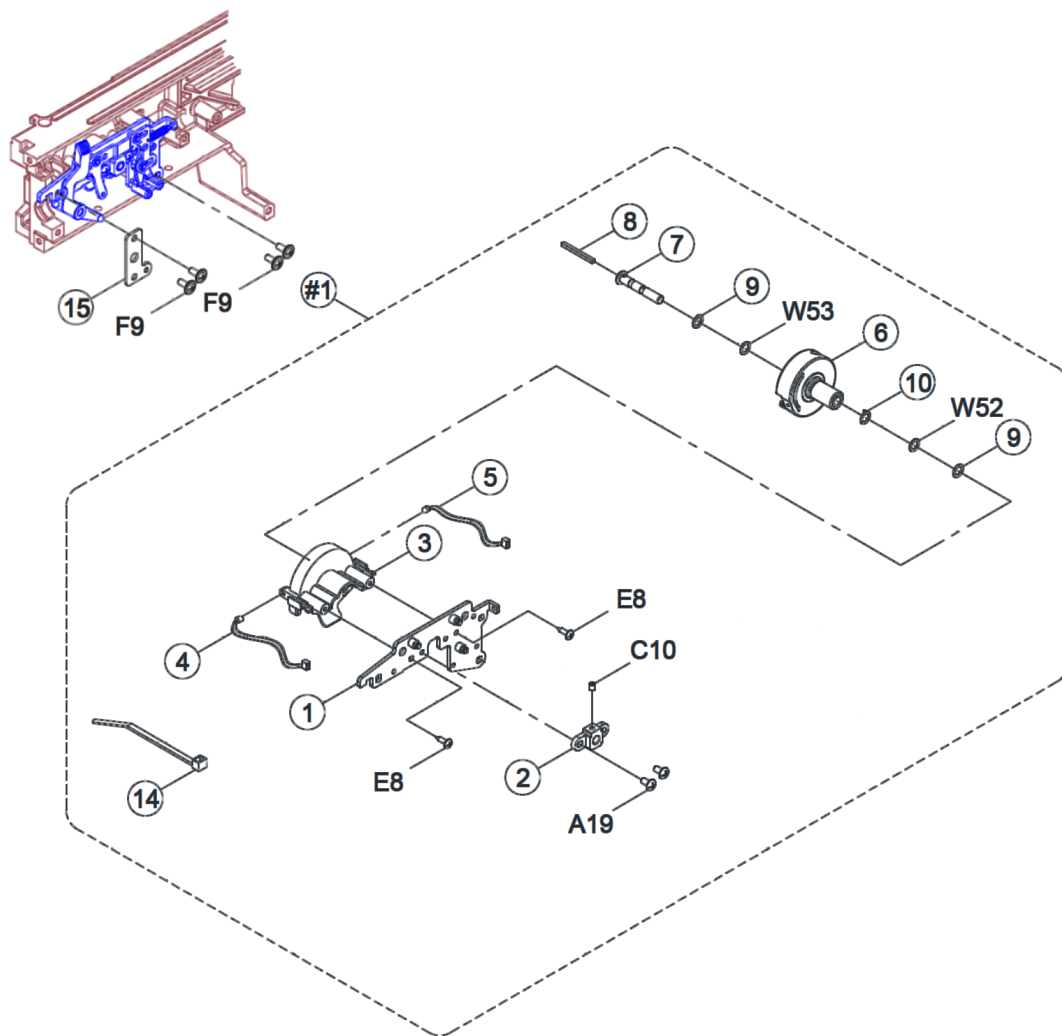
Pos	Item number	Description	Supplier Part no.
-1	5020209927	Dial tension supporter plate cpl	CJA0344000
1	5020209612	DIAL TENSION SUPPORTER PLATE COMPLETE	CJA0345000
3	5020209989	GASKET	CJB0583000
4	5020206206	Dial Tension Disc 1	J30423001
5	5020209614	DUAL THREAD GUIDE PLATE	CAA1283000
6	5020206538	Dial Tension Disc 2	E1A2333001
7	5020206208	Dial Tension Regulator	R10593000
9	5020209973	DIAL TENSION SPRING	CJB0733000
10	5020207882	Dial Tension Regulator	K50193000
11	5020209615	DIAL TENSION SPRING PLATE COMPLETE	CJA0595000-01
12	5020209616	SPRING	CJA0623000
13	5020209617	DIAL TENSION DRIVE CRANK	CJA0603000
14	5020209618	O RING	CJA0753000
15	5020209619	DIAL TENSION SUPPORTER HOLDER PLATE	CJB0483000
16	5020207174	Pulse motor	001D3B1001
17	5020209621	DIAL TENSION ADJUSTABLE CAM	CJA0613000
18	5020209687	PULSE MOTOR GEAR COMPLETE	CAA1713000
19	5020209623	DIAL TENSION SPRING	CFA0993000
20	5020209624	UPPER THREAD CRANK	H1B0443000
21	5020207865	Thread guide	P3A1353001
22	5020209033	PHOTO SENSOR PLATE	008H3B0002
23	5020208933	Tension Guide Roller	H11103001
A5	5020209828	Screw(M3*0.5*4A)	0042300066
A8	5020209077	Screw (M3*L5*0.5)	004230702
A9	5020206545	Screw (M3*0.5*L6)	004230016
A19	5020206112	Screw (M4*0.7*L8)	004240106
B10	5020209825	Screw (M3*0.5*L6)	004230082
B36	5020209163	Screw (M4*15 B)	004240146
C1	5020209755	Screw (M3*0.5*L3)	004230433
D4	5020209164	Screw (M4*6)	004240176
F8	5020209704	Screw (M3*0.5 L=12)	004230776
N2	5020209626	Nut (M3*0.5*2.3)	004830016
R8	5020209691	E-Ring (ETW-4, 4*9*0.6)	003010046

Bobbinwinder



Pos	Item number	Description	Supplier Part no.
2	5020209630	BOBBIN WINDER CRANK CPL.	CAA1555000
3	5020209631	BOBBIN WINDER CRANK SPRING	H1D0723003
4	5020209632	MICRO SWITCH COMPLETE	008CJA0012
5	5020209634	BH LEVER PLATE	CJA1493006
15	5020209648	AUTO PRESSER BAR LIFTER SUPPORTER PLATE	CJA0985000
16	5020209649	PULSE MOTOR	001CJA0001
17	5020209650	PULSE MOTOR GEAR	CJA0053000
18	5020209652	PRESSER BAR DECELERATION GEAR	CJA0083582
19	5020209653	PRESSER BAR GEAR	CJA0093582
20	5020209654	PRESSER BAR LIFTER RACK	CJA1333582
21	5020209655	PRESSER BAR LIFTER GEAR SHAFT	CJA1343003
22	5020209657	PRESSER BAR LIFTER PLATE	CJA1383003
23	5020209658	Photo Sensor Cpl needle threader	008CJA0021
24	5020209659	LED cpl. with cover	CJB0065000
25	5020209660	LED cable	008CJA0006
A19	5020206112	Screw (M4*0.7*L8)	004240106
B4	5020209107	Screw (M2*0.4*7.5)	004220112
B7	5020209641	Set Screw (M3*5B)	004230056
B11	5020209752	Screw (M3*8)	004230872
B27	5020206110	Screw (M4*0.7*L6)	004240056
C1	5020209755	Screw (M3*0.5*L3)	004230433
F3	5020209647	Screw (M3*0.5*L6)	004230816
R2	5020209656	B25 RING (E-2.5)	003010253
R9	5020207869	E-Ring (ETW-5, □5*□11*0.6)	003010053

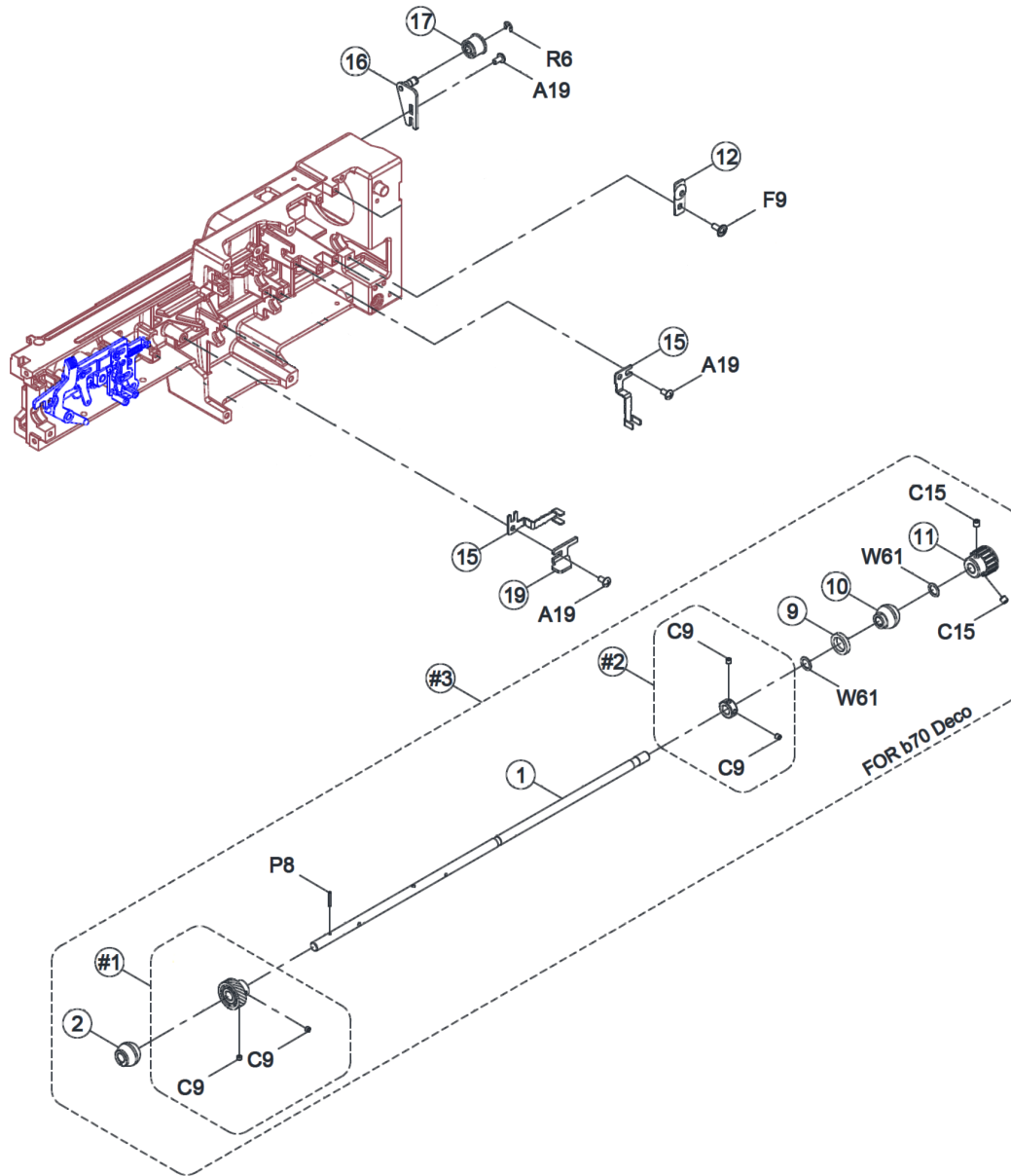
b70



Hook

Pos	Item number	Description	Supplier Part no.
-1	5020210485	ROTARY HOOK HOLDER CPL.	CJA0964000
1	5020209716	ROTARY HOOK HOLDER	CJA0963008
2	5020210239	Rotary hook supporter	E1A0543000
3	5020209717	SHUTTLE HOOK COVER	CJA1303582
4	5020209718	ROW LINE	008CJA0031
5	5020209719	ROW LINE	008CJA0032
6	5020209720	SHUTTLE HOOK HOLDER ASSEMBLY	CJA1525000
7	5020206143	Bobbin Shaft	E1A2033000
8	5020206183	Bobbin Shaft Oil Cloth	NB0693000
9	5020206182	Bobbin Shaft Washer	NB0673000
10	5020206272	Bobbin Shaft Washer	NB0683000
14	5020209800	CORD CLIP	002027129
15	5020209725	BIAS BUSHING PRESSER PLATE	CJA1183003
A19	5020206112	Screw (M4*0.7*L8)	004240106
C10	5020206108	Screw (M4*0.7*L5)	004240033
E8	5020209805	Set Screw (M3*0.5*L12)	004230066
F9	5020208929	Screw (M4*0.7*L8) (SET OF 10)	004240586
W52	5020209721	Washer (□6.2*□9.6*0.25)	0044000200
W53	5020206122	Washer (□6.2*□9.6*0.5)	004400840

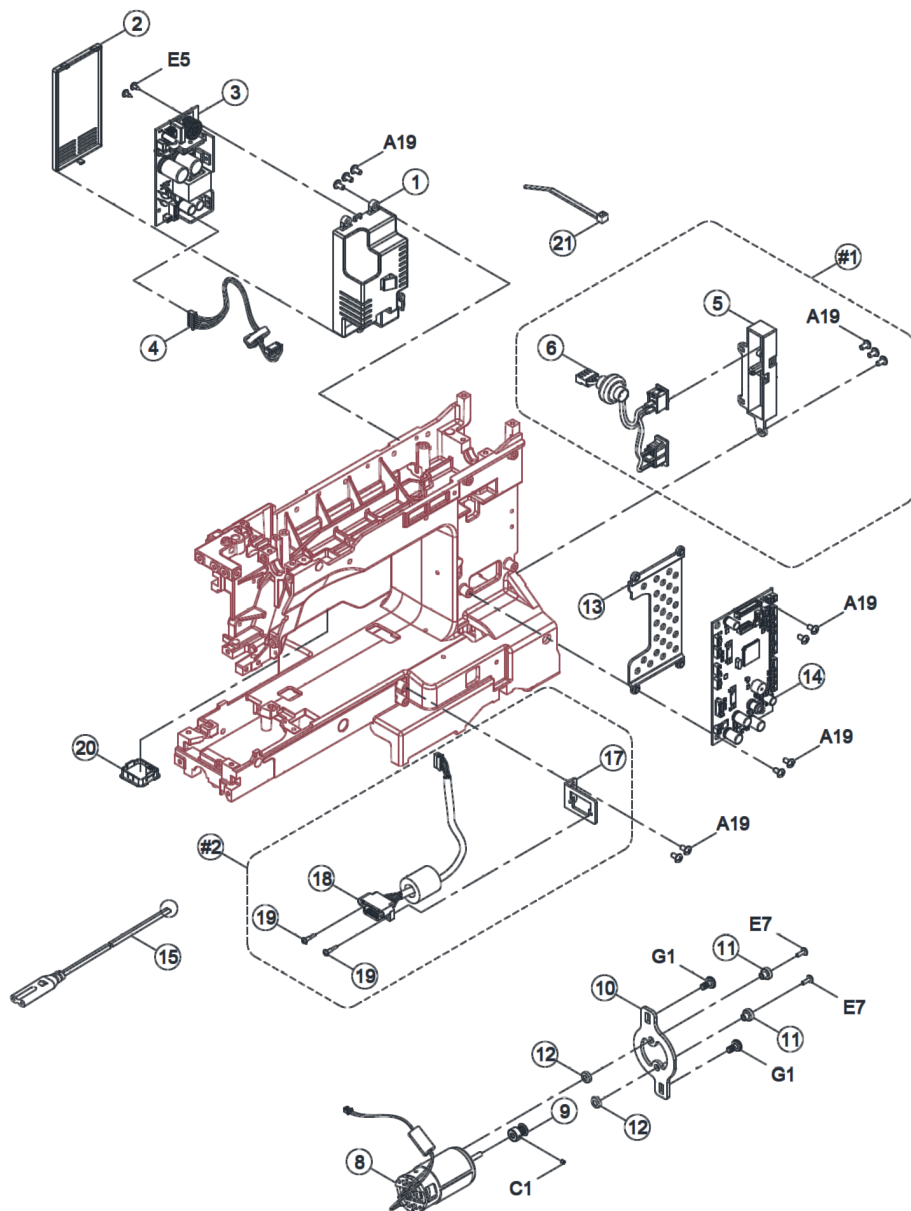
b70



Lower shaft

Pos	Item number	Description	Supplier Part no.
-1	5020209957	Lower Shaft Gear CPL	CJB0554000
-2	5020209733	LOWER SHAFT COLLAR COMPLETE	V11564000
-3	5020209999	LOWER SHAFT SET b70	CJB0294000
1	5020209727	LOWER SHAFT	CJA0763000
2	5020209728	LOWER SHAFT BIAS BUSHING	CJA0833000
9	5020209735	Felt Seal 12.7*18.7*T 3.5 Mm	R1A2823000
10	5020209736	LOWER SHAFT BUSHING	CJA0823000
11	5020209737	LOWER SHAFT BELT PULLEY	CHA0593003
15	5020209741	ELECTRIC WIRE PRESS BOARD(1)	CAA1323003
16	5020209742	BELT ADJUSTING PLATE COMPLETE	CJA1065000
17	5020208861	Belt Adjusting Pulley	H1A0453000
19	5020209992	Support rack	CJB0773000
A19	5020206112	Screw (M4*0.7*L8)	004240106
C9	5020206116	Screw (M4*0.7*L4)	004240503
C15	5020206117	Screw (M5*0.8*L5)	004250203
F9	5020208929	Screw (M4*0.7*L8) (SET OF 10)	004240586
P8	5020206098	Spring Pin (□2*L14*0.4)	003042014
R6	5020207868	E-Ring (ETW-4, □4*□9*0.6)	003010043
W61	5020209734	Washer (□8.2*□12*0.5)	004400830

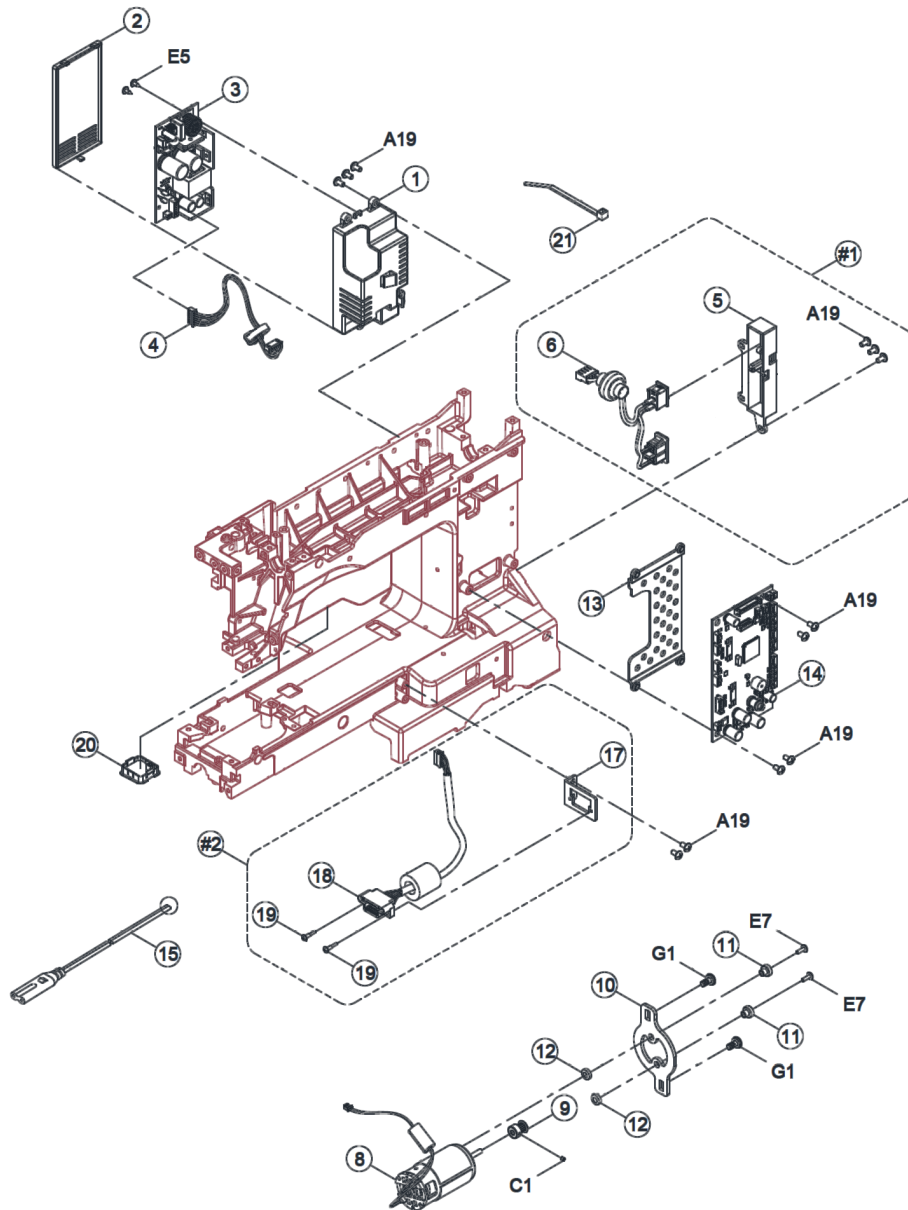
Power supply



Pos	Item number	Description	Supplier Part no.
-1	5020209750	Receptacle Holder	CJBZ335582
-2	5020209950	Connector assy	CJA0405000
1	5020209744	HF Transformer Box	CJA0993000
2	5020209745	HF Transformer Box Cover	CJA1003000
3	5020209746	HF Transformer cpl	008CJA0033
4	5020209747	Hf Transformer Wire 230V	008H1A0082
8	5020209753	DC Motor	001D030201
9	5020209754	Motor Wheel	S1A1173000
10	5020209756	Motor Bracket	S1A0583008
11	5020209757	Insulation Spacer	P3C0443000
12	5020209758	Insulation Spacer	P3C0453000
13	5020209761	Main PCB Frame	H3B0063209
44	5020209763	Main-PCB	008CJB0013
14	5020210389	MAIN CIRCUIT BOARD	008CJB0013-01
17	5020209770	Embroidery Joint Holder	CJA0403006
18	5020209771	Connector assy	008CJB0025
19	5020209772	Screw	0042310201
20	5020209773	LED cpl with holder bracket	CJB0095210
21	5020210427	Cord Clip	002549129
151	5020209765	Power Cord (120V USA)	008CJB4001
152	5020209766	Power Cord (230V-EUR)	008H7C4002
152	5020210422	SUPPLY CORD & BAG CPL. (230V EU)	008CJB1003
153	5020209767	Power Cord (240V-UK)	008H7C4004
153	5020210426	SUPPLY CORD & BAG CPL. (240V GBR)	008CJB1004
154	5020209768	Power Cord (240V AUS)	008CJB1001
155	5020209976	Power Cord (220V-China)	008H7C4005
155	5020210421	SUPPLY CORD & BAG CPL. (220V China)	008CJB1005
156	5020209977	Power Cord (230V-Brazil)	008H7C4006
156	5020210424	SUPPLY CORD & BAG CPL. (230V BRA)	008CJB1006
157	5020209978	Power Cord (230V-South-Africa)	008H7C4008
157	5020210423	SUPPLY CORD & BAG CPL. (230V RSA)	008CJB1007
A19	5020206112	Screw (M4*0.7*L8)	004240106
C1	5020209755	Screw (M3*0.5*L3)	004230433
E5	5020209419	Screw (M3*0.5*L8.5)	004230216

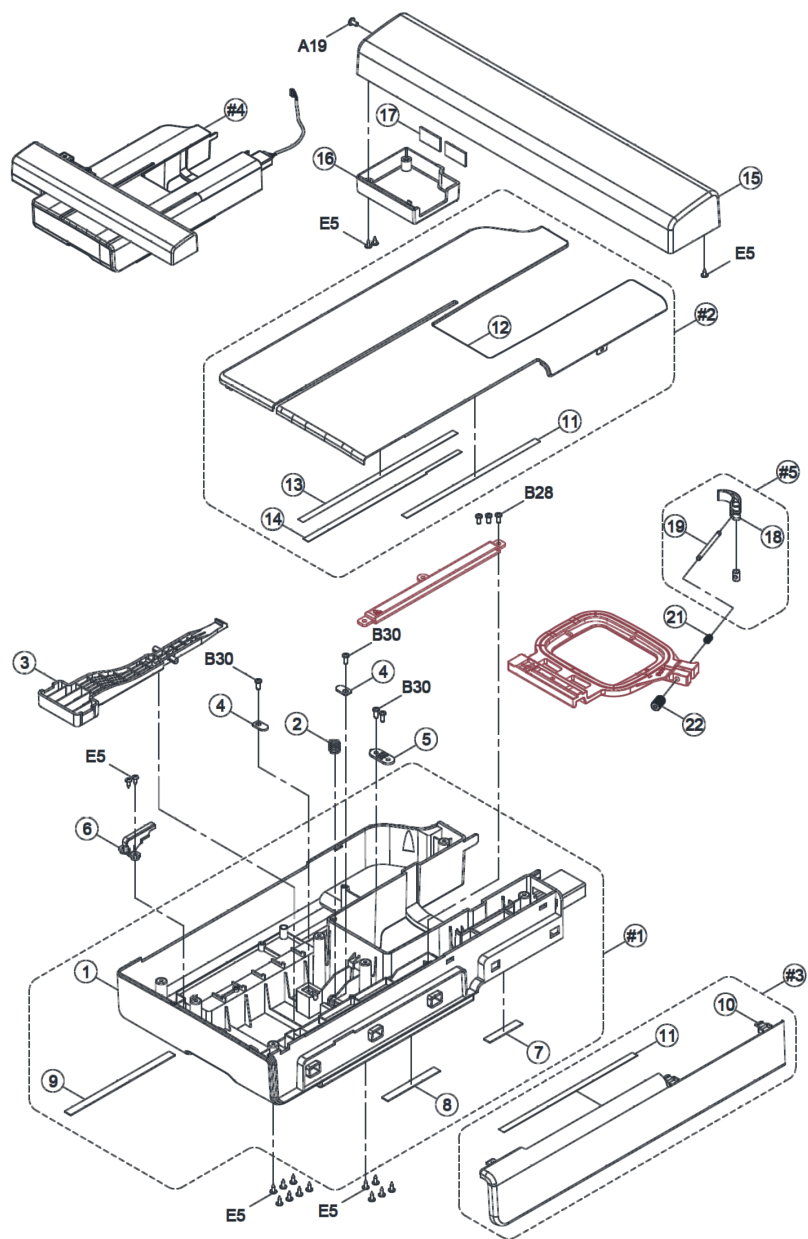
b70

Power supply



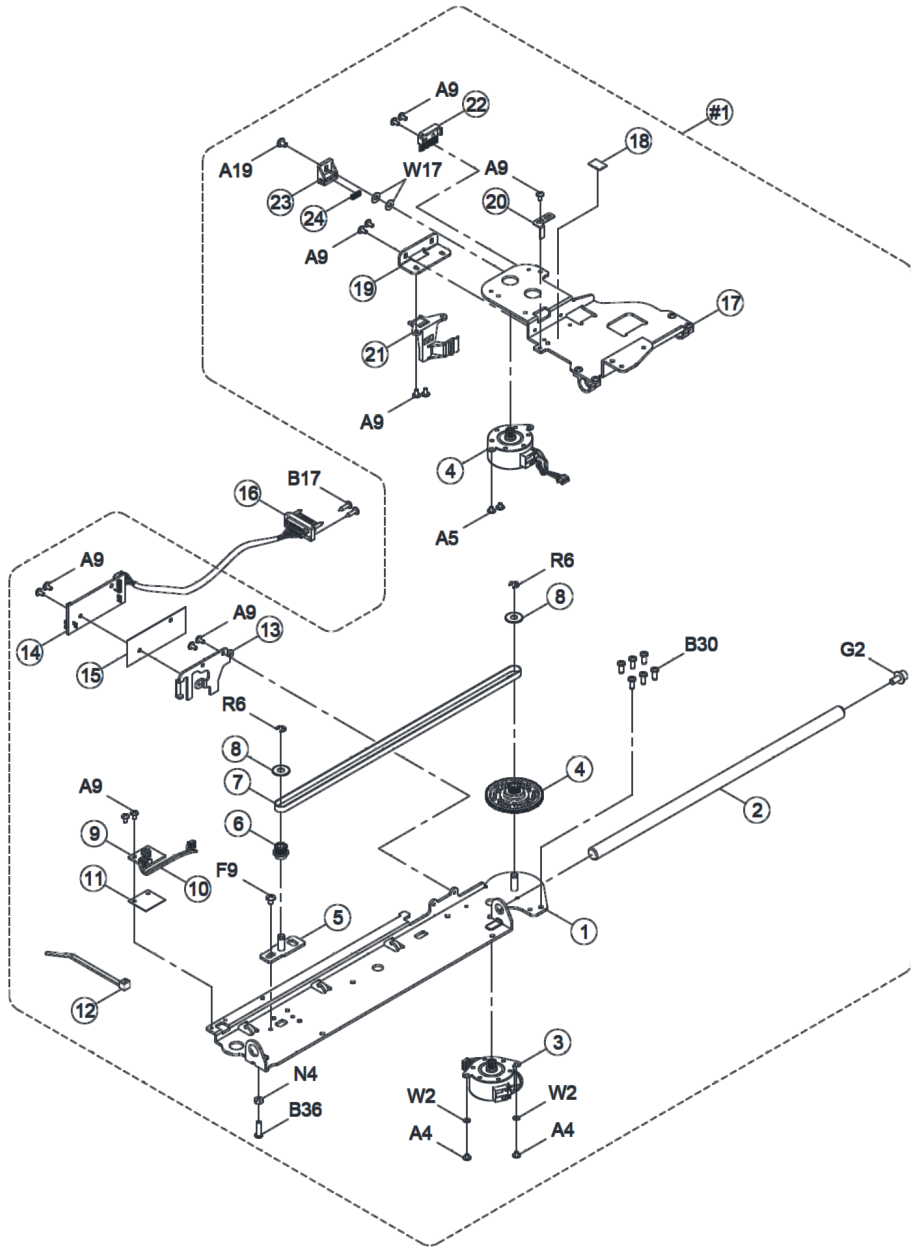
Pos	Item number	Description	Supplier Part no.
E7	5020209759	Screw (M3*0.5*L10)	004230536
G1	5020209760	Screw (M5*0.8*L12)	0042500096

Embroidery cover



Pos	Item number	Description	Supplier Part no.
-1	5020209928	Embroidery bade assy.	CJBZ265698
-2	5020209930	Embroidery unit front cover assy.	CJBZ285892
-3	5020209929	Embroidery unit top cover assy	CJBZ275892
-4	5020209944	Embroidery unit cpl	CJB0194698
-5	5020210332	LEVER CPL.	CHAY065582
1	5020209774	EMBROIDERY UNIT BODY	CJBZ263698
2	5020209775	FIXED SPRING	H3B0503003
3	5020209776	FIXED POSITION HANDLE	CJBZ313698
4	5020209777	Gasket	H13093003
5	5020209778	Cord Restraining Strap	AK0073582
6	5020209779	X GROOVE COVER	CJBZ323892
7	5020209781	FELT	CJB0223000
8	5020209782	FELT	CJB0233000
9	5020209985	Foam (10x160x2)	025CJB0010
10	5020209783	EMBROIDERY UNIT FRONT COVER	CJBZ283892
11	5020209784	DUST-PROOF CUSHION	CJB0243000
12	5020209786	EMBROIDERY UNIT TOP COVER	CJBZ273892
13	5020209787	DUST-PROOF STRIP	CJB0203000
14	5020209788	DUST-PROOF STRIP	CJB0213000
15	5020209789	VERTICAL SHAFT COVER	CJBZ293892
16	5020209790	VERTICAL SHAFT UNDER COVER	CJBZ303892
17	5020209986	Foam (10x40x4)	025CJB0009
18	5020209956	Lever	CHAY063582
19	5020209979	SCREW	CHA0033002
21	5020209987	Spring	CHA0043003
22	5020209980	LOCK NUT	CHAY053002
A19	5020206112	Screw (M4*0.7*L8)	004240106
B28	5020209785	SCREW (M4*8)	004240016
B30	5020206114	Screw (M4*0.7*L10)	004240306
E5	5020209419	Screw (M3*0.5*L8.5)	004230216

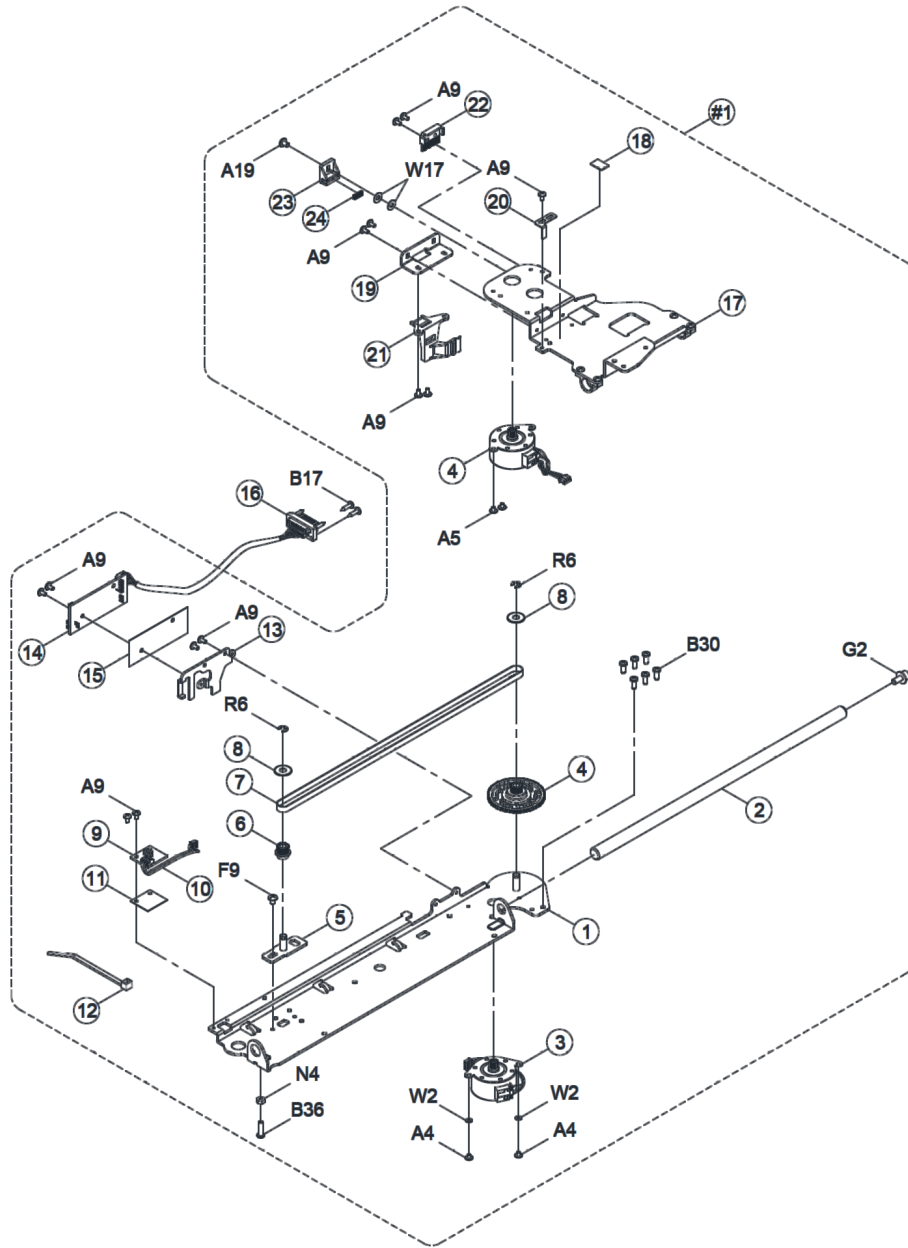
X-driving axle



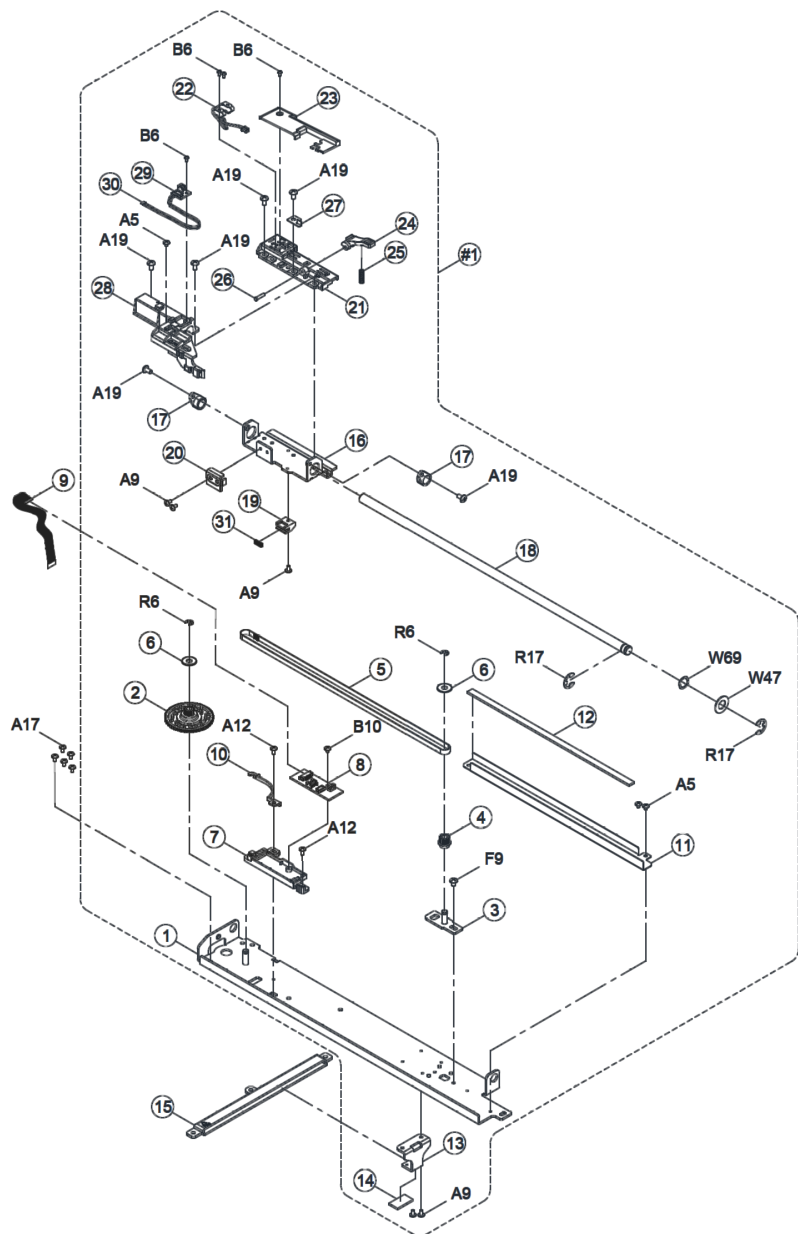
Pos	Item number	Description	Supplier Part no.
-1	5020209934	X Axial Supporter cpl	CJA1804000
1	5020209791	MACHINERY BOTTOM PLATE COMPLETE	CJA1615000
2	5020209792	X AXIAL MAIN SHAFT	CJA0263002
3	5020209794	PULSE MOTOR	001CHA0003
4	5020209817	105 Teeth Gear	CJA0043000
5	5020209818	Pulley Adjustment cpl	CHA0115000
6	5020209820	TST Idler Pulley	CHA0133582
7	5020209821	Belt	007650S2M1
8	5020209822	Washer	CHA0143000
9	5020209797	X AXIAL PHOTO SENSOR SWITCH	008CJA0036
10	5020209798	X AXIAL PHOTO SENSOR WIRE	008CJA0028
11	5020209799	INSULATING SLICE	008CJA0035
12	5020209800	CORD CLIP	002027129
13	5020209801	CONVERTER BOARD HOLDER PLATE	CJA1783000
14	5020209802	CONVERTER BOARD	008CHA0050
15	5020209803	INSULATING SLICE	008CHA0042
16	5020209804	CONNECTOR	008CJA0027
18	5020209815	FELT	CJB0543000
19	5020209809	PLATE	CHA0213006
20	5020209810	X AXIAL ZEROING CHECK PLATE	CJA1663003
21	5020209811	WIRING GUARD PLATE	CJA1683000
22	5020209813	BELT HOLDER PLATE	CJA1673000
23	5020209814	SLIDE PLATE	CJA1693000
24	5020209508	Lower Threader Cutter Brush	H7A0033000
A4	5020209796	SCREW	0042300508
A5	5020209828	Screw(M3*0.5*4A)	0042300066
A9	5020206545	Screw (M3*0.5*L6)	004230016
A19	5020206112	Screw (M4*0.7*L8)	004240106
B30	5020206114	Screw (M4*0.7*L10)	004240306
B36	5020209163	Screw (M4*15 B)	004240146
F9	5020208929	Screw (M4*0.7*L8) (SET OF 10)	004240586
G2	5020209793	SCREW WITH WASHER	0042504708
N4	5020206126	Nut (M4*0.7*3)	004840022
R6	5020207868	E-Ring (ETW-4, □4*□9*0.6)	003010043

b70

X-driving axle



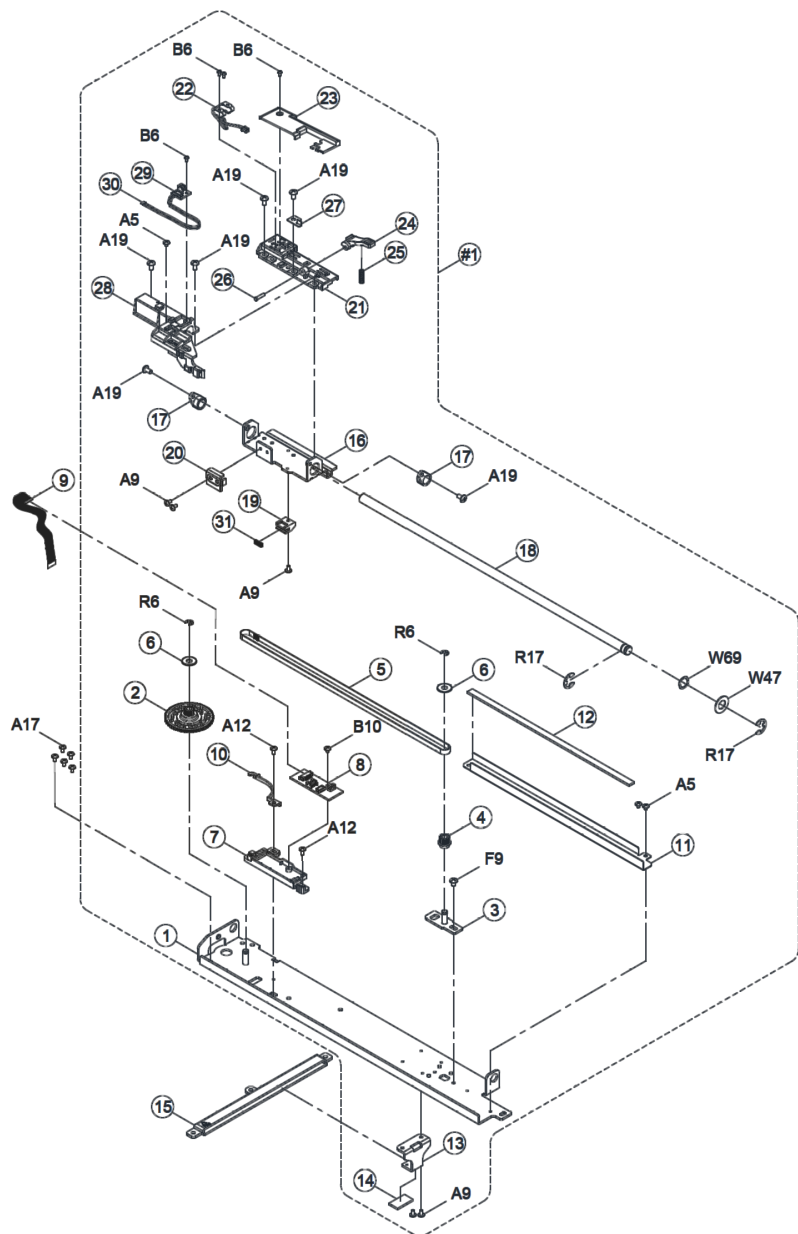
Pos	Item number	Description	Supplier Part no.
W2	5020209795	Washer(?3.2*?6*0.5)	004301068
W17	5020209690	WASHER	0043000208



Pos	Item number	Description	Supplier Part no.
-4	5020209937	Y-Axial-Supporter-cpl	CJA0284000
-1	5020210484	Y Axial Supporter cpl	CJA0284000-01
1	5020209816	Y Axial Supporter	CJA0285000
2	5020209817	105 Teeth Gear	CJA0043000
3	5020209818	Pulley Adjustment cpl	CHA0115000
4	5020209820	TST Idler Pulley	CHA0133582
5	5020209821	Belt	007650S2M1
6	5020209822	Washer	CHA0143000
7	5020209823	Y Axial Sensor Plank	CHA0303892
8	5020209824	Photo Sensor cpl	008CHA0022
9	5020209826	Row Line (10 lead)	008CJA0037
10	5020209971	Gear Cover	CJB0653582
11	5020209827	Wiring Guard Plate	CJA0303000
13	5020209829	X Axial Slide Supporter	CJA0313002
14	5020209984	Felt	CJB0633000
15	5020209830	Slide Plate Holder	CJA0333000
16	5020209831	Y Axial Slide Plate	CHA0243000
17	5020209832	Y Axial Bushing	CHA0253000
18	5020209833	Y Axial Main Shaft	CJA0293002
19	5020209837	Hook Plate	CHA0263000
20	5020209838	Presser Plate	CHA0193000
21	5020209839	FRAME SUPPORTER	CHA0273000
22	5020209840	Spring cpl	008CHA0014
23	5020209970	Cover	CJB0643582
24	5020209842	FRAME FIXED POSITION BUTTON	H3B0463582
25	5020209843	Spring	CHA0333003
26	5020209844	FRAME FIXED POSITION SHAFT	H3B0483002
27	5020209845	Plate	CHA0293006
28	5020209846	Y AXIAL WIRING GUIDER	CJA0323582
29	5020209847	Converter Board	008CHA0016
30	5020209848	Row line (4 lead)	008CJA0026
A5	5020209828	Screw(M3*0.5*4A)	0042300066
A9	5020206545	Screw (M3*0.5*L6)	004230016
A12	5020209808	Set Screw (M3*0.5*L8)	0042300126

b70

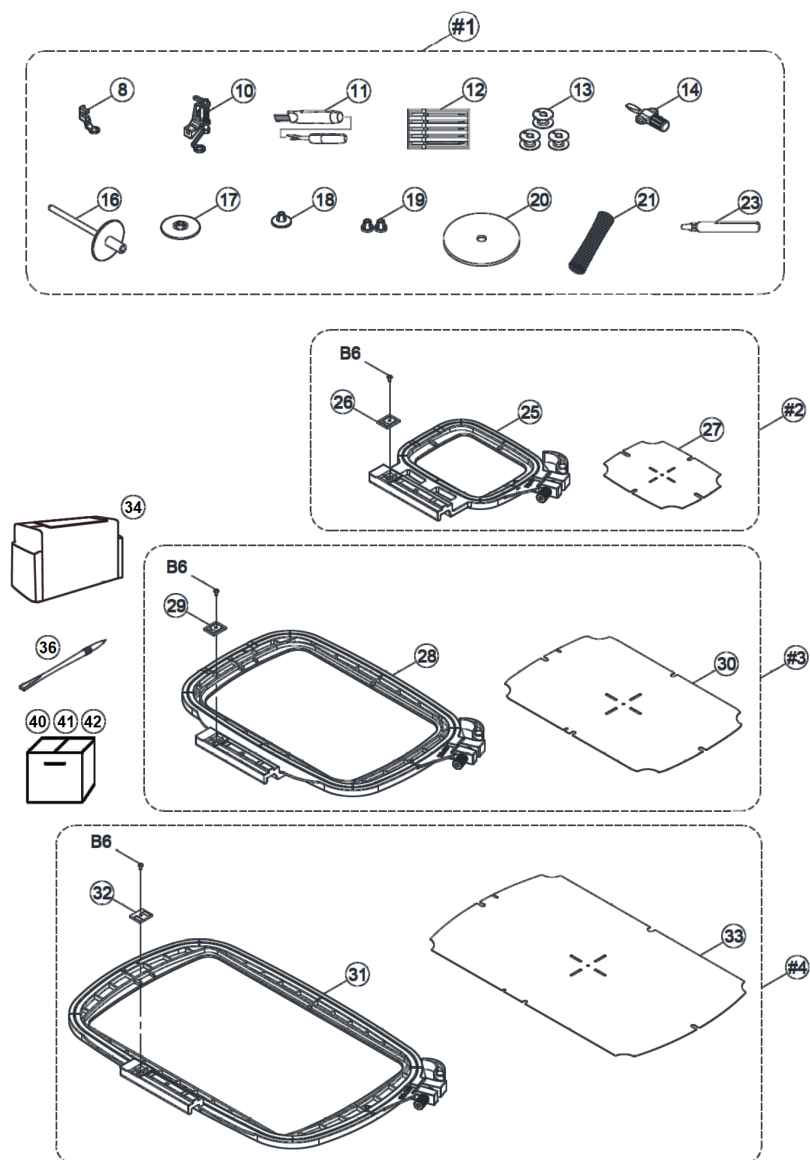
Y-Arm



Pos	Item number	Description	Supplier Part no.
A19	5020206112	Screw (M4*0.7*L8)	004240106
B6	5020209859	Screw (M2.5*0.45*L5)	004225096
B10	5020209825	Screw (M3*0.5*L6)	004230082
F9	5020208929	Screw (M4*0.7*L8) (SET OF 10)	004240586
R6	5020207868	E-Ring (ETW-4, □4*□9*0.6)	003010043
R17	5020209836	E-Ring (ETW-9, □9*□18*0.8)	003010093
W47	5020209835	Washer	0043002703
W69	5020209834	P17 Spring Washer	004500500

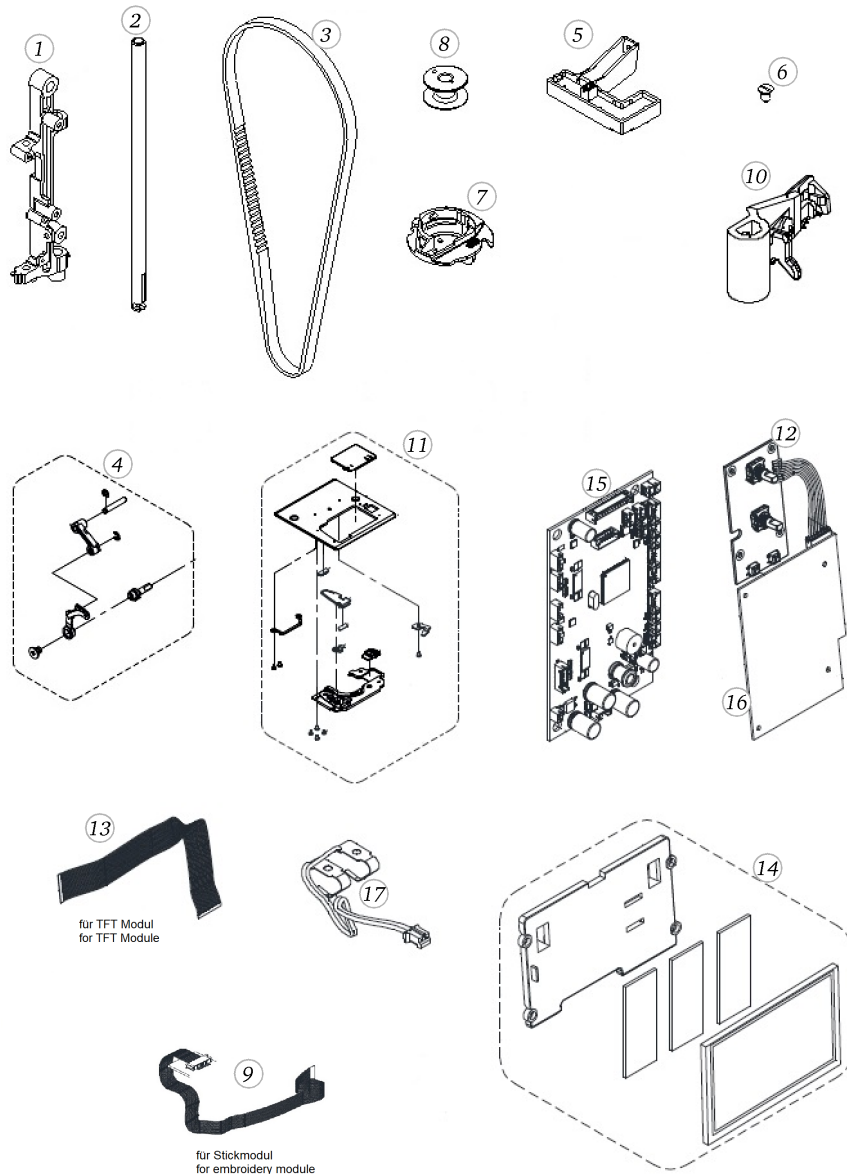
b70

Accessories



Pos	Item number	Description	Supplier Part no.
-1	5020210449	Standard accessories b70 cpl	006CJB0002
-2	5020209316	Embroidery Hoop Set (50x70)	CJBA105582
-3	5020209317	EMBROIDERY HOOP SET (120x180)	CJBA115582
-4	5020209318	EMBROIDERY HOOP SET (160x260)	CJBA125582
8	5020209303	Embroidery foot	U2-FS3-065
10	5020209326	Hopper embroidery foot	U2-FS3-070
11	5020209307	Brush & seam ripper	0060A13003
12	0025117110	Needle set 130/705 H SUK ASS 70-90 (5)	
13	5020209311	BOBBINS 10 PCS. PACKED	U2-FS3-069
14	5020209850	SCREWDRIVER	0060A13001
16	5020209852	SPOOL ROD	CJBY013892
17	5020207650	SPOOL SET PLATE	H1D0083892
18	5020209309	Spool disc medium	006D6B0020
18	5020210382	Spool disc medium	CJBY063892
19	5020205927	Spool Holder Small	TA10943892
20	5020209312	SPOOL PIN FELT	006D6B0016
21	5020207937	Thread Net	006R1A0032
23	5020601152	OIL	741814003
25	5020209856	EMBROIDERY HOOP (50x70)	CHAY046582
26	5020209857	RESISTANCE BOARD (50x70)	008CJB0021
27	5020209858	Embroidery Template (50X70)	CJBA103031
28	5020209860	EMBROIDERY HOOP (120x180)	CHAY026582
29	5020209861	RESISTANCE BOARD (120x180)	008CHA0039
30	5020209862	Embroidery Template (120X180)	CJBA113031
31	5020209863	EMBROIDERY HOOP (160x260)	CJAY016582
32	5020209864	RESISTANCE BOARD (160x260)	008CHA0040
33	5020209865	Embroidery Template (160X260)	CJBA123031
34	5020209321	DUST COVER	CJBL014582
36	5020209320	Touchscreen Pen	S2A0083698
40	5020209968	Face plate Styrofoam	025CJB0015
41	5020209935	Polyform b70/79	025CJB0001
42	5020209285	Color carton b70	027CJB0415
B6	5020209859	Screw (M2.5*0.45*L5)	004225096

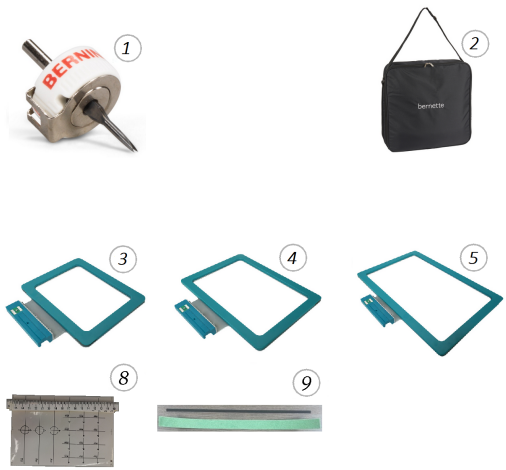
b70



Recommended Spare Parts

Pos	Item number	Description	Supplier Part no.
1	5020209553	NEEDLE BAR SUPPORTER	CJA0553000
2	5020209554	NEEDLE BAR	CJB0473000
3	5020209482	MOTOR DRIVE BELT	00751602M5
4	5020209492	Thread Take-Up Lever cpl	Q6D0364000
4	5020210408	THREAD TAKE-UP LEVER CPL.	CJB0094000
5	5020209659	LED cpl. with cover	CJB0065000
6	5020205866	Set Screw (M4X6)	004240851
7	5020209917	Bobbin case (HTTBC)	CJB0674000
8	5020208184	Bobbin 1 Pc Unpacked	006H4B0004
8	5020209311	BOBBINS 10 PCS. PACKED	U2-FS3-069
9	5020209826	Row Line (10 lead)	008CJA0037
10	5020209565	THREADING PLATE CPL.	CJB0505429
11	5020209380	NEEDLE PLATE COMPLETE (KIT)	CJBA094000
12	5020209403	XY Needle Displacement Board	008CJB0006
13	5020209398	FPC Line	008CJB0004
14	5020209981	TFT Module cpl	CJB0785000
15	5020209763	Main PCB	008CJB0013
15	5020210389	MAIN CIRCUIT BOARD	008CJB0013-01
16	5020209400	I/O Board b70	008CJB0019
17	5020209840	Spring cpl	008CHA0014

b70



Optional Accessories

Pos	Item number	Description	Supplier Part no.
1	5020209322	CutWork Tool	U2-FS3-072
2	0308955004	carrying Bag EMB bernette black L	
3	5020210399	Snap Hoop Monster bernette 100x100	
4	5020210397	Snap Hoop Monster bernette 130x180	
5	5020210398	Snap Hoop Monster bernette 140x260	
6	5020070001	Instr.book b70 DE	
7	5020070004	Instr.book b70 EN	
8	5020210444	DIME Ruler sticker (Replacement)	
9	5020210494	Stitch spacer and suede cloth (224x4x1)	CBSS224